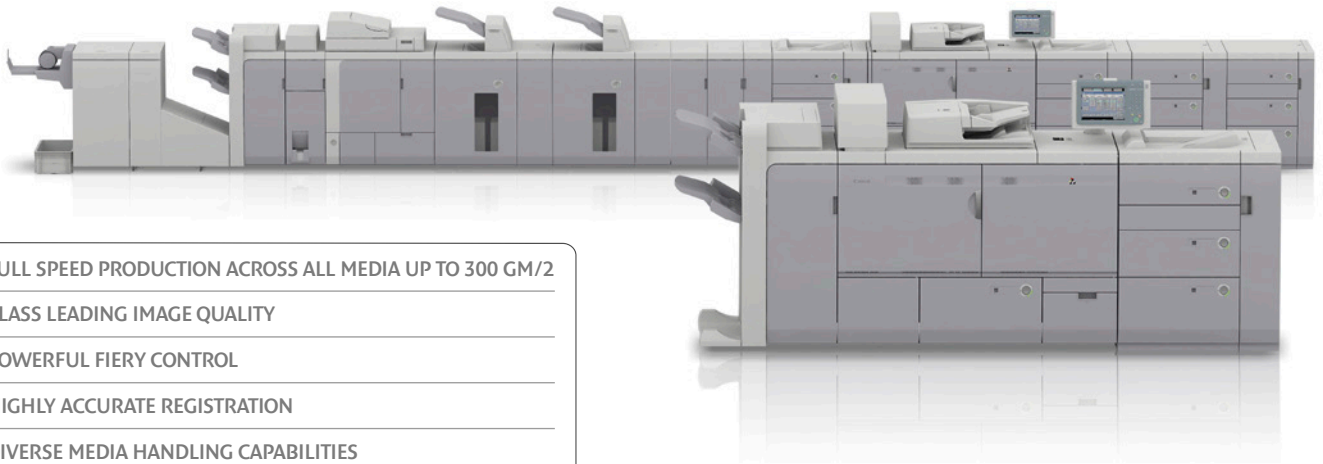


Mid-volume digital monochrome production engine

imagePRESS 1110+
imagePRESS 1125+
imagePRESS 1135+

you can

Built on the technology platform of the highly successful imagePRESS C7010VP series, Canon's imagePRESS 1135+ series brings new levels of print quality, productivity and versatility to B&W mid-volume production.



FULL SPEED PRODUCTION ACROSS ALL MEDIA UP TO 300 GM/2

CLASS LEADING IMAGE QUALITY

POWERFUL FIERY CONTROL

HIGHLY ACCURATE REGISTRATION

DIVERSE MEDIA HANDLING CAPABILITIES

EXCEPTIONAL FINISHING INCLUDING PERFECT BINDING

Maximum productivity

Adept at anything from fast turnaround, short-runs to complex Variable Data Printing, the imagePRESS 1135+/1125+/1110+ deliver impressive production speeds of 135, 125 and 110 impressions per minute respectively. With a maximum paper size of 19.2" x 13" and a potential 14,000-sheet capacity (10,000-sheet capacity for the imagePRESS 1110+), they are a viable alternative to mono offset production, offering up to 1.5 hours of uninterrupted production (almost 2 hours for the imagePRESS 1125+). Performance isn't limited to specific jobs either. These presses consistently maintain full productivity across a diverse range of media from 52 to 300gsm, handling anything from pre printed insert sheets, to transparencies and covers - quickly and effortlessly.

Unrivalled reliability

In a production environment it's important to meet the toughest deadlines - so being able to rely on your production device is key. The imagePRESS 1135+ series is totally geared towards maximising uptime, thanks to its internationally renowned technology platform. In addition air-assisted feeding ensures unbeatable paper feeding reliability. Air heaters blow warm air to ensure highly static coated media is fed correctly. Additional fans ensure immaculate feeding, pick up, and media separation. An advanced ultra-sonic double-feed detection system inside the High Capacity Paper Decks detects multifeeds, rectifying potential problems without interrupting operation.

Fiery control

Two new EFI controllers deliver powerful, fast performance and support both Fiery system10 and Windows 7 Professional.

Exceptional print quality

Canon's eB mono-component toner creates pure and rich blacks, whilst a twin sleeve developer unit minimises mottling and creates fuller solids. Active page registration (which ensures front-to-back alignment within 0.5mm tolerance) and twin red lasers allow true 1,200 dpi with 256 halftones. Producing the smoothest corners, cleanest gradients and sharpest images and text imaginable.

The perfect finish

When it comes to finishing, the imagePRESS 1135+ series really excels. A huge diversity of in-line finishing possibilities are available including perfect binding, multi-folding, saddle-stitching, punching, one or three edge trimming and high capacity stacking. The new staple and booklet maker (AK1/AK2) offers best-in-class stacking ability and an improved punch unit for wider custom size paper.

Canon

Specifications: imagePRESS 1110+ | imagePRESS 1125+ | imagePRESS 1135+

PRINTING ENGINE						
Model	imagePRESS 1110+	imagePRESS 1125+	imagePRESS 1135+			
Recommended Monthly Print Volume	100,000 to 600,000	250,000 to 800,000	300,000 to 1 million			
Recommended Maximum Monthly Print Volume	2.4 million per month	2.8 million per month	3 million per month			
Targeted Average Monthly Print Volume	200,000 per month	350,000 per month	500,000 per month			
Resolution	1,200 x 1,200dpi	1,200 x 1,200dpi	1,200 x 1,200dpi			
Registration Accuracy	+/- 0.5mm (front to back)	+/- 0.5mm (front to back)	+/- 0.5mm (front to back)			
HDD Capacity	80GB	80GB	80GB			
Memory	512+512MB	512+512MB	512+512MB			
Media Weight	52 to 300g/m ²	52 to 300g/m ²	52 to 300g/m ²			
Paper Feeding Capacity	Standard: 2,000, Maximum: 10,000	Standard: 2,000, Maximum: 14,000	Standard: 2,000, Maximum: 14,000			
Paper Finishing Capacity	16,000	27,000	27,000			
Dimension (W x D x H)	1385 x 809 x 1040mm (excluding Control Panel)	1385 x 809 x 1040mm (excluding Control Panel)	1385 x 809 x 1040mm (excluding Control Panel)			
Weight	Approx 500kg	Approx 500kg	Approx 500kg			
Power	230V x 32A + 230V x 15A	230V x 32A + 230V x 15A	230V x 32A + 230V x 15A			
PRODUCTIVITY						
Model	imagePRESS 1110+	imagePRESS 1125+	imagePRESS 1135+			
Speed						
Simplex Plain	A4	A3	A4	A3	A4	A3
80g/m ²	110	70	125	75	135	79
81-105g/m ²	110	70	125	75	135	79
106-180g/m ²	110	56	125	64	135	70
181-300g/m ²	110	56	125	64	135	70
Simplex Coated	A4	A3	A4	A3	A4	A3
90g/m ²	110	70	125	70	135	70
91-120g/m ²	110	56	117	59	117	59
121-128g/m ²	78	39	78	39	78	39
129-150g/m ²	58	29	58	29	58	29
151-180g/m ²	39	19	39	19	39	19
181-240g/m ²	29	14	29	14	29	14
POD DECK-C1	up to 2 for the imagePRESS 1110+					
SECONDARY PAPER DECK-C1	up to 3 for the imagePRESS 1125+ / 1135+					
	up to 3 for the imagePRESS 1125+ / 1135+					
	4,000 sheets capacity					
	52-300g/m ² sheets					
	B5-13x19.2 inch					
	Up to 3 decks can attach					
Power Source/ Consumption	230V 10A					
Dimension	745 x 792 x 1095mm (1 deck) 1561 x 792 x 1095mm (2 decks) 2377 x 792 x 1095mm (3 decks)					
Weight	Approx 226kg (1 deck) Approx 452kg (2 decks) Approx 678kg (3 decks)					
MULTI DOCUMENT INSERTION UNIT-A1						
	3 drawers					
	4,000 sheets capacity					
	52-300g/m ² sheets					
	B5-13x19.2 inch					
Power Source/ Consumption	230V 10A					
Dimension	1079 x 792 x 1095mm					
Weight	Approx 251kg					
DOCUMENT INSERTION UNIT-F1	imagePRESS 1110+ only					
Number of trays	2-bin					
Tray Capacity	200 sheet/bin					
Paper Weight	52-300g/m ²					
Paper Size	B5-13x19.2					
Power Source/ Consumption	230V 10A					
Dimension	701 x 793 x 1397mm					
Weight	Approx 251kg					
COLOUR IMAGE READER-L1						
	1-pass duplex					
BW - Simplex/Duplex	120/120ipm (600dpi)					
	120/200ipm (300dpi)					
Colour - Simplex/Duplex	40/40ipm (600dpi)					
	80/80ipm (300dpi)					
Original Tray Capacity	300 sheets					
Power Source/ Consumption	From Main Machine					
Dimension	633 x 588 x 179mm					
Weight	Approx 26.9kg					
HIGH CAPACITY STACKER-E1						
Weight	10,000 sheets / A4 5,000 sheets / A3 with 80g/m ² sheets					
Top Tray Capacity	1,000 sheets with 80g/m ² sheets					
Acceptable Paper Weight	52-300g/m ²					
Acceptable Paper Size	B5-13 x 19.2 inch					
Up to 2 stacker can connect						
Power Source/ Consumption	230V 10A (2nd Stacker can get power from 1st Stacker)					
Dimension	997 x 792 x 1362mm					
Weight	Approx 210kg					

PERFECT BINDER-C1	
Maximum Cover Size	B4-13" x 19.2"
Cover weight	91-300g/m ²
Inner Size	B5-228.6 x 320mm
Inner Weight	52-105g/m ²
Cutting Range	Top/Bottom 13 to 79mm Fore-edge 6.5 to 49.5mm
Booklet thickness	Up to 25mm
Power Source	230V x 10A
Dimension	922 x 783 x 1300mm
Weight	Approx 306kg
PAPER FOLDING UNIT-F1	
V-Fold	52-105g/m ²
Z fold	52-105g/m ²
C Fold	52-105g/m ²
Zigzag Fold	52-105g/m ²
Double Parallel	52-90g/m ²
Power Source	From Finisher-AF1 or Saddle Finisher-AF2
Dimension	336 x 793 x 1190mm
Weight	Approx 65kg
FINISHER-AK1	
Number of trays	2
Top Tray	1,000 sheets
Below Tray	4,000 sheets
Stapling position	Corner, Double
Acceptable Paper Weight	52-300g/m ² 5,000 sheets stock capacity up to 100 sheets stapled
Power Source	230V x 10A
Dimension	800 x 792 x 1180mm
Weight	Approx 130kg
FINISHER-AK2	
Number of trays	2
Top Tray	1,000 sheets
Below Tray	4,000 sheets
Stapling position	Corner, Double
Acceptable Paper Weight	52-300g/m ² , 5,000 sheets stock capacity. Up to 100 sheets staple Up to 100 pages booklet available (2-25 sheets)
V-Folding	Up to 5 sheets
Power Source	230V x 10A
Dimension	800 x 792 x 1180mm
Weight	Approx 180kg
BOOKLET TRIMMER-D1	
One Edge Trimming	(Fore-edge)
Trim Width	2-20mm
Trim Thickness	Up to 50 sheets (includes Cover, by half fold)
Acceptable Paper Weight	52-300g/m ²
Output Tray Capacity	30 booklets
Power Source	Saddle Finisher-AF2
Dimension	1575 x 770 x 1040mm
Weight	Approx 152kg
TWO-KNIFE BOOKLET TRIMMER-A1	
Trim Width	2-15mm
Trim Thickness	Up to 50 sheets (includes Cover, by half fold)
Acceptable Paper Weight	52-300g/m ²
Output Tray Capacity	30 booklets
Power Source	230V x 10A
Dimension	536 x 770 x 1040mm
Weight	Approx 145kg
PROFESSIONAL PUNCHER-B1	
	<i>External In-line Punch Unit</i>
Acceptable Punch Paper Weight	75-216g/m ²
Acceptable Punch Paper Size	A4
Punch Tools	Plastic Comb 21-Hole, Twin Loop 23-Hole (Round) Twin Loop 34-Hole (Round), Color Coil 47-Hole Velo Bind 12-Hole, Loose Leaf 4-Hole Punch Loose Leaf 2-Hole Punch, Loose Leaf 4-Hole (Swedish) Loose Leaf 3-Hole, Pro Click 34-Hole
Power Source	From Integration Unit-A1
Dimension	305 x 792 x 1040mm
Weight	Approx 80kg
PROFESSIONAL PUNCHER INTEGRATION UNIT-A1	
	<i>Mandatory for Professional Puncher-B1</i>
Power Source	230V 10A
Dimension	250 x 792 x 1040mm
Weight	Approx 80kg
3 SERVER OPTIONS	
	imagePRESS Server k100 imagePRESS Server k200 imagePRESS Printer Kit-A1

Canon recommends you use Canon Media for the best results. Please check media (paper) compatibility list to see which variety of paper/media is recommended.

Some images are simulated for clarity of reproduction. All data is based on Canon's standard testing methods. This leaflet and the specifications of the product have been developed prior to the date of product launch. Final specifications are subject to change without notice. ™ and ©: All company and/or product names are trademarks and/or registered trademarks of their respective manufacturers in their markets and/or countries.



Canon Inc.
canon.com

Canon Europe
canon-europe.com

English Edition
© Canon Europa N.V., 2013

Canon Europe Ltd
3 The Square, Stockley Park
Uxbridge, Middlesex
UB11 1ET UK