



XC8155

High performance color A4
multifunction device



Affordable
in-house
color production



Productivity
boosting speed,
functionality
and reliability



Workflow
smoothing
solutions
and flexibility



Sensitive data
stays secure



Cut costs
while being
environmentally
responsible



Lexmark™

Get more power and save money



Worldwide studies show that nearly 98% of all paper sales are for 8.5x11 inch letter/A4 size paper. What about your office? If you only occasionally use oversized 11x17/A3 paper, you could be saving thousands with an affordable, space-saving and fully-featured Lexmark XC8155 color laser MFP.

- ▶ Copier capabilities in an affordable, space-saving device
- ▶ Up to 55 pages per minute† print speeds and scan up to 120 pages per minute (duplex)
- ▶ Spend less time replacing supplies with high-yield toner capacity and shake-free science
- ▶ Broad finishing options

Affordable in-house color production

Productivity stays high when even large color print jobs complete quickly. With copier-like print speeds of up to 55 ppm the XC8155 keeps you going.

Minimize wait time with the XC8155's ability to print a single color page in as little as 6.5 seconds.

Spend less and power through complex print jobs with large, high-resolution photos and graphics. The powerful standard print controller has the processing power you need built-in. Compare that to expensive add-on third-party print controllers.

Digital workflows and paper documents won't slow you down. The XC8155 has a faster scanner than most light production A3/11x17 copiers and comparable A4 devices. At up to 120 images per minute, combined with the powerful quad-core processor, your information is captured and made available to you and your network applications fast.

Work from wherever, print where you want with mobile printing from iOS, Android and Windows Mobile devices and optional wireless and NFC direct mobile printing from smartphones and tablets. The XC8155 is also Google Cloud Print, Apple Airprint 1.5 and Mopria ready.

Better access for all with the tilting eTask panel that makes the interface viewable for users at all heights, drawers and paper guides that move effortlessly, and standard headphone jack and talk-back features to help those with limited vision engage with the device‡.

Robust construction puts your mind at ease knowing the XC8155's steel frame construction can withstand the physical abuse of the most challenging manufacturing environment, the continuous demands of high page use office environments, and everything in between.

† Print and copy speeds measured in accordance with ISO/IEC 24735 respectively (ESAT). For more information see: www.lexmark.com/ISOspeeds.
‡ Meets advanced Section 508 and European Standard EN 301 549 guidelines for accessibility.



Look sharp for less with business class color and finishing

Color so accurate and affordable, you can print color in-house.

You can match your brand colors and have accurate color output without having to pay a premium at an outside facility. Lexmark Color Replacement combines spot color replacement and RGB replacement for precision matching of critical colors. PANTONE® calibration and embedded color sample pages to help you nail perfect color at the design stage. Lexmark's 4800 color quality is ultra-sharp even at full speed.

Get the perfect finish with configuration options that include your choice of a compact in-line staple finisher or finisher with multi-position stapler and hole punch.

More media choices makes your MFP multi-talented. From 300 gsm—one of the thickest media available in cut sheet to print signage or booklet covers—to tissue-thin paper such as 70 gsm, and all the vinyl, labels, cardstock, envelopes, and banners in between, the XC8155 makes you shine.

Less hands-on hassle with a high input capacity comparable to light production A3 digital copiers. With 4,500 sheets of input capacity—more than any in its class—paper is less likely to run out, so you don't have to wait or intervene to finish printing.

Improve your productivity with the XC8155 that keeps on running

- ▶ Toner cartridges yield up to 25,000 pages[†]
- ▶ Photoconductor lasts up to 175,000 pages
- ▶ Developers and maintenance items run for up to 300,000 pages
- ▶ No shake Unison™ Toner cartridges mean perfect prints to the last page without interruption

[†] Based on approximately 5% print coverage. Actual yields may vary based on factors such as page coverage, image type, job size, print/copy/fax modes and duplexing.
[§] Virtual ReScan integration with Lexmark TotalAgility

Advanced scanning technology

Connect your digital systems with your unstructured content with ease. The advanced scanning technology on the XC8155 makes it fast and hassle-free.

- ▶ Improve scanning productivity and capture efficiency by reducing the time involved in manual document preparation and automatically enhancing the quality of scanned images with the Lexmark VirtualReScan (VRS) integration option[§]
- ▶ Remove blank pages automatically with blank page detection and removal
- ▶ Scan a stack of mixed sized originals at full speed
- ▶ Keep things fast and file sizes small with color detection that scans in mono if no color is found
- ▶ Reduce file sizes and maintain information accuracy with Mixed Raster Content (MRC) file compression
- ▶ Achieve accurate, high resolution images with Charged Coupled Device (CCD) sensors and five-piece optical glass lenses
- ▶ Don't waste time restarting a job. Page-level jam recovery picks up where the job left off



Workflow smoothing solutions and flexibility

Bridge the gap between your paper documents and software systems with the fully-configurable device-based apps available on the Lexmark XC8155. The built in productivity solutions future-proof your investment.

Standard device-based apps shipping with this series include**:



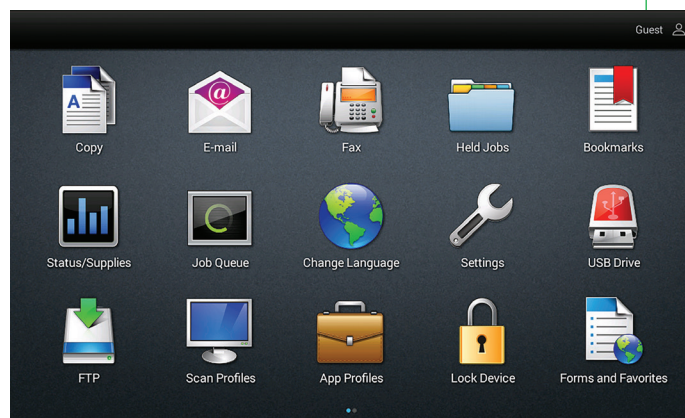
AccuRead OCR

In less time than it takes to enter data manually, your organization can create searchable files or editable content using the included AccuRead OCR. Other vendors charge extra for this critical capability.



Scan Center

One app to send your scanned documents to multiple destinations simultaneously with optional delivery confirmations.



Forms and Favorites

Keep frequently used forms and documents easy to access and save money by eliminating preprinted forms.



Card Copy

Capture both sides of ID/credit cards, print on one side of paper and save to a network folder.



Address Book

Manage the device's internally stored user data, contacts and scan destinations from the e-Task touch screen or the embedded web server.

See the possibilities with our intuitive interface

Minimize the need for training with the familiar modern tablet-like capabilities of our eTask interface on a bright 10-inch class color touch screen. Use swipe and touch gestures to navigate the intuitive interface to access convenient features, including:

- ▶ Preview your entire print job
- ▶ Print Microsoft Office and other file types from USB or mobile devices
- ▶ Customize shortcuts and bookmarks
- ▶ Realize your return on investment fast with true integration
- ▶ Access corporate address book for quick document routing
- ▶ Enable user tracking, accounting and permissions for cost and print management

** Additional device-based apps may ship with the device and additional apps can be added.

XC8155



1. Intuitive color touch screen with new eTask interface A bright 10-inch screen uses familiar swipe and touch gestures, minimizing training time to get users up to speed.



Up to 120 ipm

2. Advanced color scanner with duplex automatic document feeder (ADF) Save time by scanning both sides of your document in one pass with robust color scanning capabilities and an input capacity of up to 150 sheets.



3. Direct printing Microsoft Office files and other document and image types print right from flash drives. You can even preview jobs on the eTask screen prior to printing.



4. Finishing options Choose from a compact staple finishing option shown or Professional Finisher 1950 with multi-position stapling and hole punch to further enhance productivity.



5. Unison™ Toner system with long-life supplies Unison™ Toner delivers consistently outstanding image quality plus long-life system reliability and amazing sustainability in a high-yield, no-shake design.



6. Software solutions Combine device-based app capabilities with additionally purchased Lexmark fleet management tools and your existing software and technical infrastructure to form the Lexmark smart MFP ecosystem. Its adaptability future-proofs your investment in Lexmark color laser technology.



7. Expandable input Print on multiple paper types and boost input capacity to 4,500 sheets.

Sensitive data stays secure

Authorize and authenticate who and what gets access to your network along with remote monitoring and management.

Protect your device on all fronts with port and connection filtering to limit active access and encryption and wiping of the optional hard disk to secure sensitive print job data. Digital signatures on firmware updates keep hackers at bay.

Authentication to fit your protocols from badge readers, PIN or passwords. Once users are authenticated, the connection to your network is fully secure. If user authentication fails, the eTask panel shuts down to protect your device settings.

Put a stop to data leaks on the standard hard disk with 256-bit AES encryption and encryption keys stored in the MFP's memory, not the hard disk. Data is almost impossible to read if the hard drive is removed.

Cut costs while being environmentally responsible

Save power and keep up to speed with multiple power saving modes. Sleep mode uses less than 3.5 watts between jobs. Hibernate mode uses less than half a watt during scheduled on/off periods. Proximity sensors wake your MFP when you approach or place documents on the ADF or scanner bed, so it is ready to go when you are.

Save paper and toner with standard double-sided printing, printing images a lighter shade with the ColorSaver feature that still leaves text dark and readable and the Eco Copy solution are just some of the eco-friendly options.

Save energy and more with Lexmark Unison™ Toner that fuses at a lower temperature, requiring less energy. Through the free and easy Lexmark Cartridge Collection Program (LCCP), ship empty cartridges back to recycling centers for sustainable recycling.



Lexmark Sustainability

For Lexmark, commitment to the environment isn't a marketing tagline, it's a core value backed up by real action and results. We are forward thinking, innovative, and driven to sustain a healthy planet for generations to come. For our customers and partners we bring this passion, our leading technology and a deep understanding of industry-specific business processes to continuously improve their efficiency as well as our own.

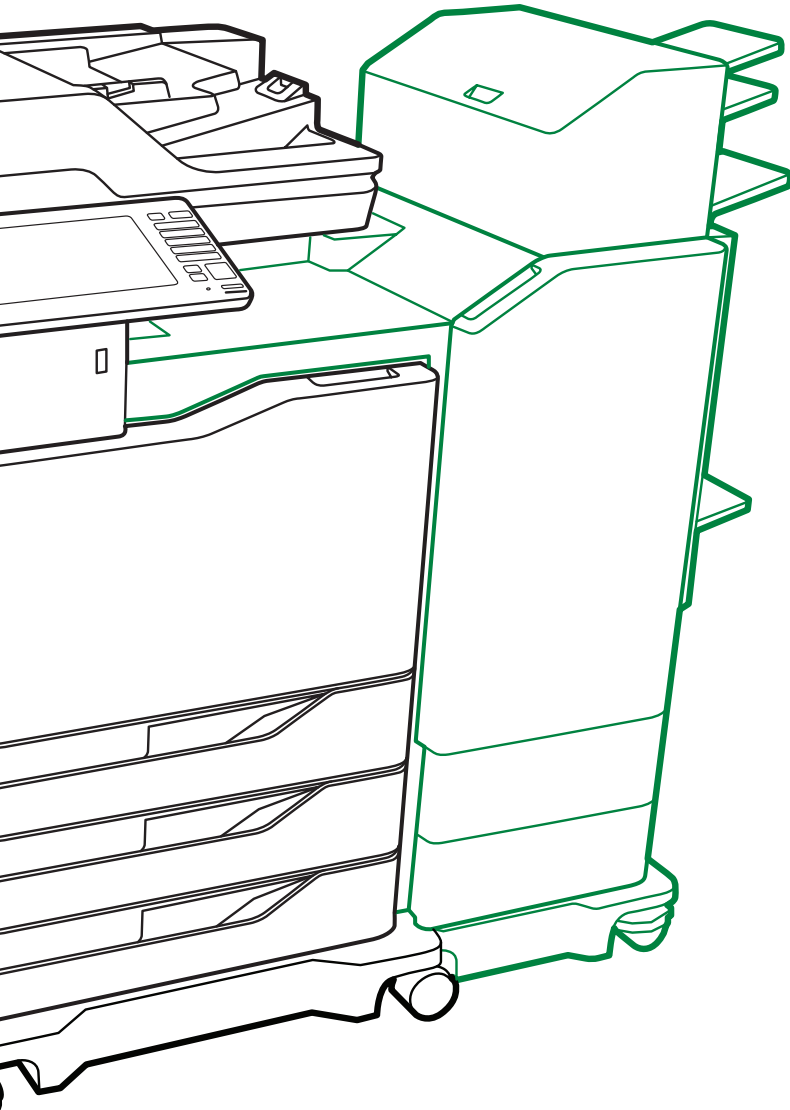
Lexmark products meet globally recognized environmental standards.††

- ▶ Energy Star™
- ▶ Blue Angel compliant
- ▶ EPEAT™

For more information on Lexmark's sustainability initiatives, visit csr.lexmark.com

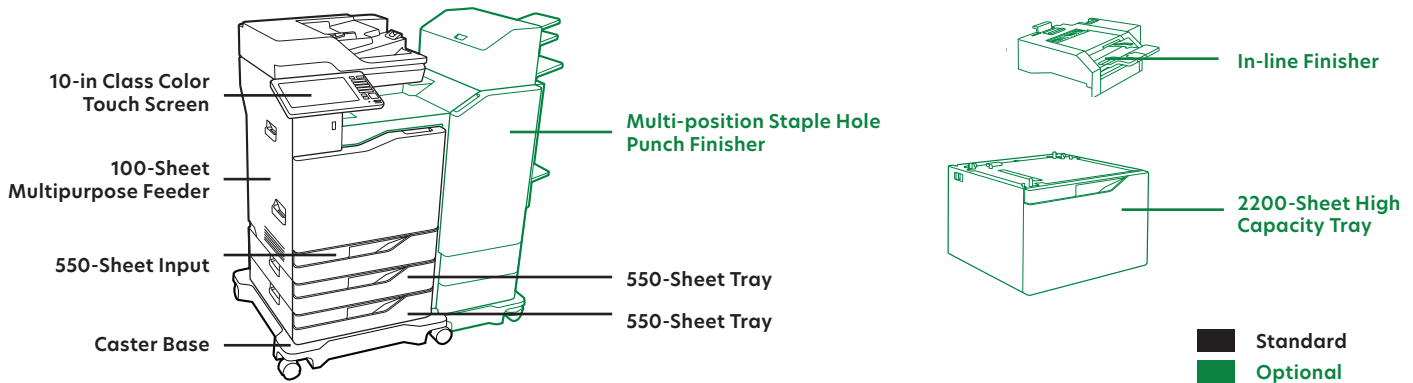
†† Energy Star V2.0 for Imaging Equipment (EU RoHS and Section 4.3.1.1 of IEEE 1680.2-2.)

Ordering information



P/N	Hardware
42K1241	Lexmark XC8155
P/N	Laser Toner/Print Cartridge
24B6511	XC6152, XC8155 Black Toner Cartridge
24B6508	XC6152, XC8155 Cyan Toner Cartridge
24B6509	XC6152, XC8155 Magenta Toner Cartridge
24B6510	XC6152, XC8155 Yellow Toner Cartridge
72K0P00	Photoconductor 1-Pack
72K0Q00	Photoconductor 3-Pack
72K0DK0	Black Return Program Developer Unit
72K0DV0	Color (CMY) Return Program Developer Kit
72K0DC0	Cyan Return Program Developer Unit
72K0DM0	Magenta Return Program Developer Unit
72K0DY0	Yellow Return Program Developer Unit
72K0W00	Waste Toner Bottle
25A0013	Staple Cartridges (3-pack)
72K0FK0	Black Return Program Developer and Photoconductor Unit Pack
72K0FV0	Color (CMY) Return Program Developer Kit and Photoconductors Pack
P/N	Paper Handling
21K0567	550-Sheet Tray
21K0237	2200-Sheet Tray
42K2300	Inline Staple Finisher
42K1597	Multi-position Staple Punch Finisher Tall-LV
42K1267	Multi-position Staple Punch Finisher LV
P/N	Memory Options
57X9022	2GB x64 DDR3 RAM
57X9801	256MB Flash Memory Card
57X9814	Korean Font Card
57X9815	Japanese Font Card
57X9812	S. Chinese Font Card
57X9810	T. Chinese Font Card
P/N	Application Solutions
21K0127	Forms and Bar Code Card
21K0128	Card for IPDS
21K0129	Card for PRESCRIBE
57X0300	Front Contact Authentication Module
57X0301	Front Contactless Authentication Module
P/N	Connectivity
1021294	2-meter USB cable (RoHS)
27X0309	MarkNet N8360 802.11 Wireless w/NFC
SPD0001	Surge Protective Device, 110-120V
57X7025	Voice Guidance Kit
57X7020	English Keyboard Kit
57X7021	French Keyboard Kit
57X7023	German Keyboard Kit
57X7022	Italy Keyboard Kit
57X7024	Spain Keyboard Kit
P/N	User Replaceable Parts
41X0246	Fuser 110-120V
41X0248	Fuser 100V
41X0245	Transfer Belt
41X0249	Separation Roller
41X0154	Transfer Roller
41X0993	Media Pick Roller
41X0360	ADF Separation Roller
41X0358	ADF Media Pick Roller
41X0359	ADF Feed Belt

Lexmark XC8155



Product specifications	Lexmark XC8155
Printing	
Display	Lexmark e-Task 10-inch (25 cm) class color touch screen
Print Speed: Up to ⁵	Black: 55 ppm / Color: 55 ppm
Time to First Page: As fast as	Black: 6.5 seconds / Color: 6.5 seconds
Print Resolution	Black: 1200 x 1200 dpi, 4800 Color Quality (2400 x 600 dpi) / Color: 1200 x 1200 dpi, 4800 Color Quality (2400 x 600 dpi)
Memory	Standard: 2048 MB / Maximum: 4096 MB
Hard Disk	Included in configuration
Recommended Monthly Page Volume ²	3000 - 30000 pages
Maximum Monthly Duty Cycle: Up to ³	250000 pages per month
Copying	
Copy Speed: Up to ⁵	Black: 55 cpm / Color: 55 cpm
Time to First Copy: As fast as	Black: 6.5 seconds / Color: 7.0 seconds
Scanning	
Scanner Type / ADF Scan	Flatbed scanner with ADF / DADF (Single Pass Duplex)
A4/Ltr Duplex Scan Speed: Up to	Black: 114 / 120 sides per minute / Color: 114 / 120 sides per minute
A4/Ltr Simplex Scan Speed: Up to	Black: 57 / 60 sides per minute / Color: 57 / 60 sides per minute
Faxing	
Modem Speed	ITU T.30, V.34 Half-Duplex, 33.6 Kbps
Supplies⁷	
Laser Cartridge Yields (up to) ¹	25,000-page Black Extra High Yield Cartridge, 20,000-page Color (CMY) Extra High Yield Cartridges
Photoconductor Estimated Yield: Up to ⁴	175000 pages, based on 3 average letter/A4-size pages per print job and ~ 5% coverage
Cartridge(s) Shipping with Product ⁸	17,000-page Color (CMY) High Yield Return Program Toner Cartridges, 25,000-page Black Extra High Yield Return Program Cartridge
Paper Handling	
Included Paper Handling	550-Sheet Input, 100-Sheet Multipurpose Feeder, Integrated Duplex, 2 x 550-Sheet Tray, 500-Sheet Output Bin
Optional Paper Handling	550-Sheet Tray, Staple Punch Finisher, Inline Stapler, 2200-Sheet Tray
Paper Input Capacity: Up to	Standard: 1750 pages 20 lb or 75 gsm bond / Maximum: 4500 pages 20 lb or 75 gsm bond
Paper Output Capacity: Up to	Standard: 500 pages 20 lb or 75 gsm bond / Maximum: 1950 pages 20 lb or 75 gsm bond
Media Types Supported	Card Stock, Dual Web Labels, Envelopes, Labels, Plain Paper, Polyester Labels, Vinyl Labels, Refer to the Card Stock & Label Guide., Banner Paper
Media Sizes Supported	10 Envelope, 7 3/4 Envelope, 9 Envelope, A4, A5, B5 Envelope, C4 Envelope, C5 Envelope, DL Envelope, Index Card, Executive, Folio, JIS-B5, Legal, Letter, 4 x 6 in., Statement, Universal, Oficio, A6
General Information⁴	
Standard Ports	One Internal Card Slot, USB 2.0 Specification Hi-Speed Certified (Type B), Gigabit Ethernet (10/100/1000), Two Rear USB 2.0 Specification Hi-Speed Certified ports (Type A), Two Front USB 2.0 Specification Hi-Speed Certified port (Type A)
Optional Network Ports	Internal MarkNet N8360 802.11b/g/n Wireless, NFC
Noise Level: Operating	Print: 56 dBA / Copy: 59 dBA / Scan: 56 dBA
Specified Operating Environment	Humidity: 15 to 80% Relative Humidity, Temperature: 10 to 32°C (50 to 90°F), Altitude: 0 - 2896 Meters (9,500 Feet)
Size (in. - H x W x D) / Weight (lb.)	36.7 x 22 x 23.15 in. / 315 lb.

¹Yield at approximately 5% print coverage per color. ²Recommended Monthly Page Volume" is a range of pages that helps customers evaluate Lexmark's product offerings based on the average number of pages customers plan to print on the device each month. Lexmark recommends that the number of pages per month be within the stated range for optimum device performance, based on factors including: supplies replacement intervals, paper loading intervals, speed, and typical customer usage. ³Maximum Monthly Duty Cycle" is defined as the maximum number of pages a device could deliver in a month using a multishift operation. This metric provides a comparison of robustness in relation to other Lexmark printers and MFPs. ⁴Printers are sold subject to certain license/agreement conditions. See www.lexmark.com/printerlicense for details. ⁵Print and copy speeds measured in accordance with ISO/IEC 24734 and ISO/IEC 24735 respectively (ESAT). For more information see: www.lexmark.com/ISOspeeds. ⁶Actual yield may vary based on other factors such as device speed, paper size and feed orientation, toner coverage, tray source, percentage of black-only printing and average print job complexity. ⁷Product functions only with replacement cartridges designed for use in a specific geographical region. See www.lexmark.com/regions for more details. ⁸Black - Average yield at approximately 5% print coverage. Cyan, Magenta and Yellow -Average continuous composite CMY declared cartridge yield up to this number of standard pages in accordance with ISO/IEC 19798.