



# Lexmark MX317dn



MX317dn

## Value and versatility. Combines 4 devices into 1.

Move up to a multifunction product that combines printing, copying, scanning and faxing into a single compact and affordable device. The MX317dn produces professional-quality prints and documents at up to 35 pages per minute and is recommended for use up to 6,000 pages per month. Includes a 2.4-inch color LCD screen, built-in networking, security and mobile print capability.\*

## Combines 4 devices into 1

Looking to consolidate devices to save space, time and money? The compact and reliable MX317dn provides multifunction performance at a low price. It's built for durability and speed, thanks to a fast dual-core processor, 256MB of memory and built-in networking. This MFP can deliver up to 35 pages per minute, with the first page in as little as 6.5 seconds.



Up to 35 ppm



Unison Toner



Network



Security



Duplex



Mobility

## Security, with Confidential Print. Mobile print capability.

Proven and tested network security features and protocols protect your device, information and network from unauthorized access. Keep your sensitive documents safe by enabling the Confidential Print feature, which requires entering a customized, unique PIN on the device's keypad before the document can be printed.

Print from mobile devices using an optional Wi-Fi adapter or Lexmark's free Mobile Print app.

## Comprehensive warranty

The affordable MX317dn color MFP is so well made, we back it with a solid 1-year warranty that offers you multiple ways to obtain help: phone, email, live chat and remote assistance. Plus, if your device ever fails, we'll ship you a replacement device through our Advanced Exchange program so you're up and printing again as quickly as possible. See Statement of Limited Warranty for details.

\*Requires free Lexmark Mobile Print app with Android or iOS mobile device

## Print up to 2,500 pages without replacing toner

Lexmark's exclusive Unison™ Toner keeps your cost of printing low, with standard cartridges that produce up to 2,500 pages. Plus they never require shaking, which minimizes interruptions and keeps your work moving. The Lexmark print system and Unison Toner enable consistent print quality throughout the life of the cartridge to prevent wasted prints.

## User-friendly

The MX317dn is simple to install, easy to use and offers built-in connectivity and full compatibility with nearly every operating system and network, so you'll be up and running in minutes. It's built to last, so you'll easily be able to print up to 6,000 pages per month, thanks to our state-of-the-art paper handling technology.

Monitor operating status and supply levels on the MFP's easy-to-use, 2.4-inch color LCD or from a remote location via its web interface. Add an extra paper tray to boost capacity to 850 sheets for fewer interruptions.

An automatic document feeder simplifies printing, copying, scanning and faxing multipage documents.

## Eco-friendly

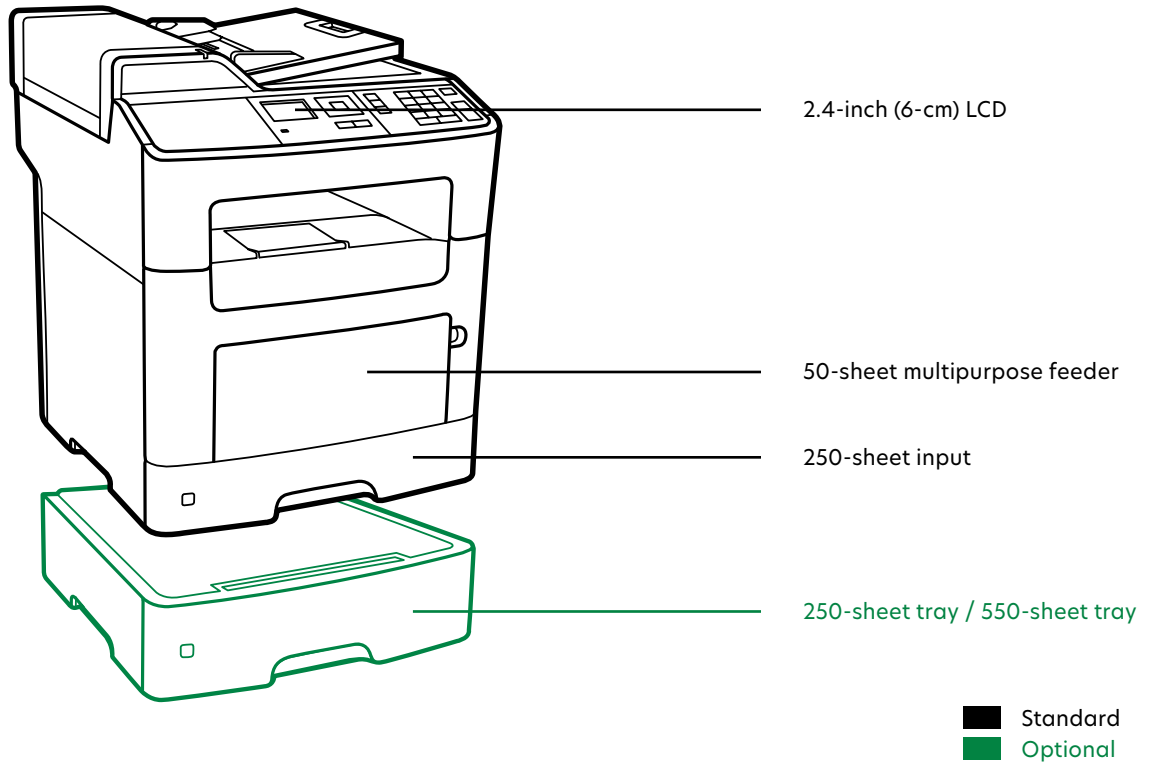
Built-in two-sided printing reduces paper use. The instant warm-up fuser saves energy and delivers the first page as fast as 6.5 seconds. Select an energy-saving mode (Quiet, Hibernate or Eco) to automatically minimize noise and energy consumption.



Product specifications		Lexmark MX317dn
<b>Printing</b>		
Display	2.4-inch (60 mm) Color LCD display	
Print Speed: Up to <sup>6</sup>	Black: 35 ppm	
Time to First Page: As fast as	Black: 6.5 seconds	
Print Resolution	Black: 1200 Image Quality, 1200 x 1200 dpi, 2400 Image Quality, 600 x 600 dpi	
Memory / Processor	Standard: 256 MB / Maximum: 256 MB / Dual Core, 800 MHz	
Hard Disk	Not Available	
Recommended Monthly Page Volume <sup>2</sup>	250 - 6000 pages	
Maximum Monthly Duty Cycle: Up to <sup>3</sup>	50000 pages per month	
<b>Copying</b>		
Copy Speed: Up to <sup>6</sup>	Black: 35 cpm	
Time to First Copy: As fast as	Black: 6.5 seconds	
<b>Scanning</b>		
Scanner Type / ADF Scan	Flatbed scanner with ADF / Simplex	
A4/Ltr Simplex Scan Speed: Up to	Black: 42 / 43 sides per minute / Color: 19 / 20 sides per minute	
ADF Paper Input Capacity: Up to	50 pages 20 lb or 75 gsm bond	
<b>Faxing</b>		
Modem Speed	ITU T.30, V.34 Half-Duplex, 33.6 Kbps	
<b>Supplies<sup>7</sup></b>		
Laser Cartridge Yields (up to) <sup>1</sup>	2,500-page Cartridge	
Imaging Unit Estimated Yield: Up to	60000 pages, based on 3 average letter/A4-size pages per print job and ~ 5% coverage	
Cartridge(s) Shipping with Product <sup>1</sup>	2,500-page Starter Return Program Toner Cartridge	
<b>Paper Handling</b>		
Included Paper Handling	250-Sheet Input, 50-Sheet Multipurpose Feeder, 150-Sheet Output Bin, Integrated Duplex	
Optional Paper Handling	250-Sheet Tray, 550-Sheet Tray, 550-Sheet Lockable Tray	
Paper Input Capacity: Up to	Standard: 300 pages 20 lb or 75 gsm bond / Maximum: 850 pages 20 lb or 75 gsm bond	
Paper Output Capacity: Up to	Standard: 150 pages 20 lb or 75 gsm bond / Maximum: 150 pages 20 lb or 75 gsm bond	
Media Types Supported	Card Stock, Envelopes, Paper Labels, Plain Paper, Transparencies, Refer to the Card Stock & Label Guide.	
Media Sizes Supported	10 Envelope, 7 3/4 Envelope, 9 Envelope, A4, A5, DL Envelope, Executive, Folio, JIS-B5, Legal, Letter, Statement, Universal, Oficio, A6	
<b>General Information<sup>4</sup></b>		
Standard Ports	USB 2.0 Specification Hi-Speed Certified (Type B), Ethernet 10/100BaseTX (RJ-45), also works with 1000Base-T	
Optional Network Ports	External MarkNet N7020e Gigabit Ethernet, MarkNet N8352 802.11b/g/n Wireless	
Noise Level: Operating	Print: 53 dBA / Copy: 54 dBA / Scan: 55 dBA	
Specified Operating Environment	Temperature: 16 to 32°C (60 to 90°F), Humidity: 8 to 80% Relative Humidity, Altitude: 0 - 2896 Meters (9,500 Feet)	
Limited Warranty - See Statement of Limited Warranty	1-Year Exchange Service, Next Business Day	
Size (in. - H x W x D) / Weight (lb.)	18.4 x 15.7 x 18.6 in. / 44.0 lb.	

<sup>1</sup>Average standard page yield value declared in accordance with ISO/IEC 19752. <sup>2</sup>"Recommended Monthly Page Volume" is a range of pages that helps customers evaluate Lexmark's product offerings based on the average number of pages customers plan to print on the device each month. Lexmark recommends that the number of pages per month be within the stated range for optimum device performance, based on factors including: supplies replacement intervals, paper loading intervals, speed, and typical customer usage. <sup>3</sup>"Maximum Monthly Duty Cycle" is defined as the maximum number of pages a device could deliver in a month using a multishift operation. This metric provides a comparison of robustness in relation to other Lexmark printers and MFPs. <sup>4</sup>Printers are sold subject to certain license/agreement conditions. See [www.lexmark.com/printerlicense](http://www.lexmark.com/printerlicense) for details. <sup>5</sup>Actual Yield may vary based on other factors such as device speed, paper size and feed orientation, toner coverage, tray source, percentage of black-only printing and average print job complexity. <sup>6</sup>Print and copy speeds measured in accordance with ISO/IEC 24734 and ISO/IEC 24735 respectively (ESAT). For more information see: [www.lexmark.com/ISOspeeds](http://www.lexmark.com/ISOspeeds). <sup>7</sup>Product functions only with replacement cartridges designed for use in a specific geographical region. See [www.lexmark.com/regions](http://www.lexmark.com/regions) for more details.

## Lexmark MX317dn features



© 2017 Lexmark. All rights reserved.

Lexmark and the Lexmark logo are trademarks or registered trademarks of Lexmark International, Inc. in the United States and/or other countries. All other trademarks are the property of their respective owners. ENERGY STAR® is a U.S. registered mark.