

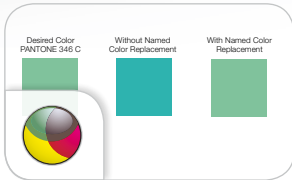
# Lexmark X740 Series Color laser MFPs



## Robust color MFPs for productive workgroups

The Lexmark X740 Series color laser MFPs increase efficiency and deliver high-quality color documents. Security controls and workflow-enhancing solutions make high-volume printing easy and secure.

### Features to optimize your work



#### Easy brand matching

Consistently match branded colors and print marketing collateral in-house with Lexmark Named Color Replacement.



#### Intuitive color touch screen

Operate your printer with ease and confidence using the 7-inch color touch screen that makes navigation smart and intuitive.



#### Convenient updates

Preview documents and change output settings such as two-sided printing directly at the device.



#### Flexible input capacity

With the optional 550-sheet drawers and 2,000-sheet high-capacity feeder, customize input options to meet your printing needs.



#### Two-sided printing

Reduce paper consumption by up to 50% and reduce your impact on the environment with two-sided printing.



#### Walk-up USB printing

The front USB port allows for convenient walk-up preview, printing and scanning of PDFs and many printable image file formats.



#### Eco-friendly printing

Print responsibly with Eco-Settings that let you customize print settings and Hibernate Mode, which reduces energy consumption to less than one watt.



#### Card reader security

The card reader option allows users to authenticate with proximity or swipe cards.

**LEXMARK**<sup>TM</sup>

# Lexmark X740 Series Overview



## Robust high-quality color

Rely on Lexmark X740 Series color laser MFPs for the high-quality color printing, scanning and copying essential to business. Speed and reliability mean minimal waiting and few interruptions. You consistently and quickly receive vibrant documents.

- Match corporate colors on marketing collateral and brand-sensitive text and graphics with Lexmark Named Color Replacement and PANTONE® calibration.
- Lexmark cartridges let you print up to 12,000 pages per cartridge in black and up to 10,000 pages per cartridge in color.<sup>1</sup>
- Print and copy quickly at speeds up to 35 ppm and a time to first page as fast as 9 seconds in both black and color.
- The high-speed processor, 512MB RAM and Gigabit Ethernet networking mean fast data transfer and fast processing, even on complex color documents.
- Ultra-reliable paper feeding supports diverse media, including card stock, vinyl labels, banners and more.



## Productivity made easy

The combination of easy-to-use features and reliable performance means business processes are intuitive and you are productive. Increase efficiency with workflow-enhancing solutions and shortcuts designed to reduce unnecessary printing and simplify processes.

- The easy-to-use 7-inch color touch screen provides audible feedback and tablet-like navigation to make device operation intuitive and simple.
- Expand input capacity with optional drawers that let you load multiple media types and boost total input capacity up to 4,300 sheets.
- Quickly print and copy documents using the instant warm-up fuser that also reduces energy consumption.
- Create customized messages to provide helpful information, such as helpdesk telephone numbers.
- Easily manage supplies through programmable alerts that automatically send reorder notifications.



## Security is standard

With Lexmark X740 Series color laser MFPs, printing is secure and sensitive information is protected. Advanced security controls provide the peace of mind that valuable business data is protected at every stage: from user authentication to security audits and disk wiping.<sup>2</sup>

- User authorization lets you customize personal access rights based on user login and group membership, including LDAP groups.
- Protect sensitive data sent to the device with IPsec, SNMPv3 and 802.1x network security protocols and hard disk encryption.<sup>2</sup>
- Remove sensitive data using automatic, scheduled or manual disk wiping that complies with government security standards.<sup>2</sup>
- Security-audit logging tracks and identifies security risks.
- Increase the security of scanned documents with PDF 1.6 support.

# Lexmark X740 Series Ordering information

## Compatible on the complete Lexmark X740 Series

### Part # Laser Toner/Print Cartridge

X746H1KG	X746, X748 Black High Yield Return Program Toner Cartridge
X746A1CG	X746, X748 Cyan Return Program Toner Cartridge
X746A1MG	X746, X748 Magenta Return Program Toner Cartridge
X746A1YG	X746, X748 Yellow Return Program Toner Cartridge
X746H2KG	X746, X748 Black High Yield Toner Cartridge
X746A2CG	X746, X748 Cyan Toner Cartridge
X746A2MG	X746, X748 Magenta Toner Cartridge
X746A2YG	X746, X748 Yellow Toner Cartridge
C734X77G	Waste Toner Box
C734X20G	Photoconductor Unit
C734X24G	Photoconductor Unit, 4-Pack

### Part # Furniture

3052765	Swivel Cabinet
34T5114	C74x, X74x Caster Base

### Part # Memory Options

1025041	256MB DDR2-DRAM
1025042	512MB DDR2-DRAM
1025043	1024MB DDR2-DRAM
14F0245	256MB Flash Card

30G0287	Arabic Font Card
30G0828	Japanese Font Card
30G0825	Korean Font Card
30G0826	Simplified Chinese Font Card
30G0827	Traditional Chinese Font Card

### Part # Application Solutions

57X9000	Lexmark PrintCryption Card
34T5121	X746, X748 Card for IPDS
34T5122	X746, X748 Card for PRESCRIBE Emulation
34T5120	X746, X748 Forms and Bar Code Card

### Part # Connectivity

27X0025	MarkNet N8250 802.11b/g/n Wireless Print Server
14F0037	MarkNet N8120 Gigabit Ethernet Print Server
1021294	USB Cable (2-meter)
14F0000	Parallel 1284-B Interface Card
1021231	Parallel Cable (10-foot)
14F0100	RS-232C Serial Interface Card

### Part # User Replaceable Parts

40X8110	C74x, X74x Fuser Maintenance 110-120V
40X8307	C74x, X74x Transfer Belt Maintenance Kit
40X5187	ADF Separator Pad

40X5188	ADF Pick Assembly
40X5189	ADF Pick Pad
40X5168	Pick Tire
40X5152	Pick Tire, Specialty Media Drawer

## Lexmark X746de

### Part # Model

34T5011	Lexmark X746de
---------	----------------

### Part # Paper Handling

27S2100	550-Sheet Drawer
27S2400	2,000-Sheet High Capacity Feeder
27S2650	550-Sheet Specialty Media Drawer
27S2190	4.8 inch (12.2 cm) Spacer

### Part # Memory Options

27X0014	160+ GB Hard Disk
---------	-------------------

### Part # Extended Warranties

2355052	X746 2-Years Total (1+1) Onsite Service, Next Business Day
2355053	X746 3-Years Total (1+2) Onsite Service, Next Business Day
2355054	X746 4-Years Total (1+3) Onsite Service, Next Business Day

2355055	X746 5-Years Total (1+4) Onsite Service, Next Business Day
2355056	X746 1-Year Onsite Service Renewal, Next Business Day

### Part # Installation Service

2355059	X746 Install, De-Install Service
---------	----------------------------------

### In the box

Lexmark X746de color laser MFP, Up to 6,000\*-page color (CMY) toner cartridges, Up to 6,000\*-page black toner cartridge, Photoconductor unit, Software and Documentation CD, Power cord(s), RJ-11 Phone cable or adapter (country dependent), Setup guides (network and local attachment), Statement of limited warranty / guarantee, Lexmark Cartridge Collection Program information

\*Average continuous black or continuous composite CMY declared cartridge yield in one-sided (simplex) mode up to this number of standard pages in accordance with ISO/IEC 19798.

## Lexmark X748de

### Part # Model

34T5012	Lexmark X748de
---------	----------------

### Part # Paper Handling

27S2100	550-Sheet Drawer
27S2400	2,000-Sheet High Capacity Feeder
27S2650	550-Sheet Specialty Media Drawer
27S2190	4.8 inch (12.2 cm) Spacer

### Part # Laser Toner/Print Cartridge

X748H1CG	X748 Cyan High Yield Return Program Toner Cartridge
X748H1MG	X748 Magenta High Yield Return Program Toner Cartridge
X748H1YG	X748 Yellow High Yield Return Program Toner Cartridge
X748H2CG	X748 Cyan High Yield Toner Cartridge
X748H2MG	X748 Magenta High Yield Toner Cartridge
X748H2YG	X748 Yellow High Yield Toner Cartridge

### Part # Extended Warranties

2355080	X748 2-Years Total (1+1) Onsite Service, Next Business Day
---------	------------------------------------------------------------

2355081	X748 3-Years Total (1+2) Onsite Service, Next Business Day
---------	------------------------------------------------------------

2355082	X748 4-Years Total (1+3) Onsite Service, Next Business Day
---------	------------------------------------------------------------

2355083	X748 5-Years Total (1+4) Onsite Service, Next Business Day
---------	------------------------------------------------------------

2355084	X748 1-Year Onsite Service Renewal, Next Business Day
---------	-------------------------------------------------------

### Part # Installation Service

2355087	X748 Install, De-Install Service
---------	----------------------------------

### In the box

Lexmark X748de color laser MFP, Up to 10,000\*-page color (CMY) toner cartridges, Up to 12,000\*-page black toner cartridge, Photoconductor unit, Software and Documentation CD, Power cord(s), RJ-11 Phone cable or adapter (country dependent), Setup guides (network and local attachment), Statement of limited warranty / guarantee, Lexmark Cartridge Collection Program information

\*Average continuous black or continuous composite CMY declared cartridge yield in one-sided (simplex) mode up to this number of standard pages in accordance with ISO/IEC 19798.

## Lexmark X748dte

### Part # Model

34T5013	Lexmark X748dte
---------	-----------------

### Part # Paper Handling

27S2100	550-Sheet Drawer
27S2400	2,000-Sheet High Capacity Feeder
27S2650	550-Sheet Specialty Media Drawer
27S2190	4.8 inch (12.2 cm) Spacer

### Part # Laser Toner/Print Cartridge

X748H1CG	X748 Cyan High Yield Return Program Toner Cartridge
X748H1MG	X748 Magenta High Yield Return Program Toner Cartridge
X748H1YG	X748 Yellow High Yield Return Program Toner Cartridge
X748H2CG	X748 Cyan High Yield Toner Cartridge
X748H2MG	X748 Magenta High Yield Toner Cartridge
X748H2YG	X748 Yellow High Yield Toner Cartridge

### Part # Extended Warranties

2355080	X748 2-Years Total (1+1) Onsite Service, Next Business Day
---------	------------------------------------------------------------

2355081	X748 3-Years Total (1+2) Onsite Service, Next Business Day
---------	------------------------------------------------------------

2355082	X748 4-Years Total (1+3) Onsite Service, Next Business Day
---------	------------------------------------------------------------

2355083	X748 5-Years Total (1+4) Onsite Service, Next Business Day
---------	------------------------------------------------------------

2355084	X748 1-Year Onsite Service Renewal, Next Business Day
---------	-------------------------------------------------------

### Part # Installation Service

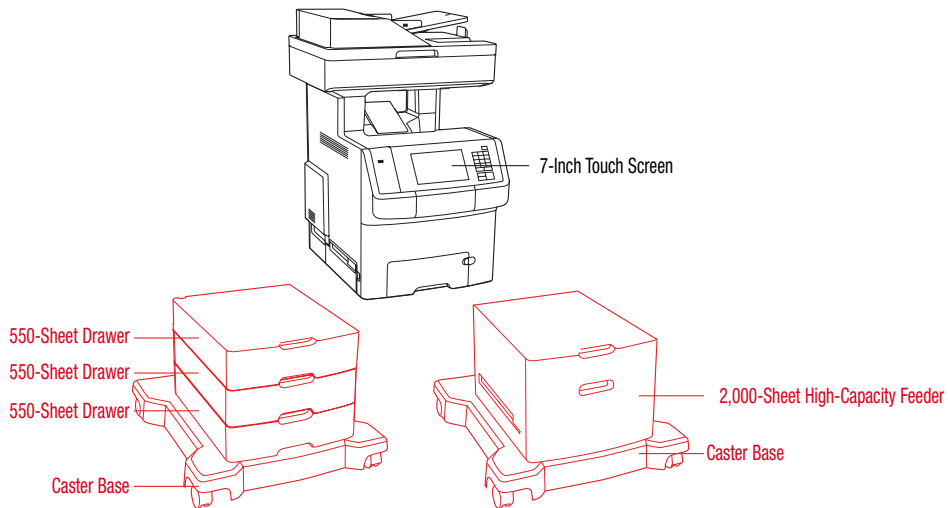
2355087	X748 Install, De-Install Service
---------	----------------------------------

### In the box

Lexmark X748dte color laser MFP, Includes a 550-sheet drawer, Up to 10,000\*-page color (CMY) toner cartridges, Up to 12,000\*-page black toner cartridge, Photoconductor unit, Software and Documentation CD, Power cord(s), RJ-11 Phone cable or adapter (country dependent), Setup guides (network and local attachment), Statement of limited warranty / guarantee, Lexmark Cartridge Collection Program information

\*Average continuous black or continuous composite CMY declared cartridge yield in one-sided (simplex) mode up to this number of standard pages in accordance with ISO/IEC 19798.

# Lexmark X740 Series Product specifications



■ Standard  
■ Optional

## Product specifications

### Lexmark X746de

### Lexmark X748de

### Lexmark X748dte

Printing	Lexmark e-Task 7-inch (17.8 cm) color touch screen with audible feedback		
Display	Lexmark e-Task 7-inch (17.8 cm) color touch screen with audible feedback		
Print Speed: Up to	Black: 35 ppm / Color: 35 ppm		
Time to First Page: As fast as	Black: 9 seconds / Color: 9 seconds		
Print Resolution, Color	1200 x 1200 dpi, 4800 Color Quality (2400 x 600 dpi)		
Memory	Standard: 512 MB / Maximum: 1536 MB		
Hard Disk	Option available	Included in configuration	Included in configuration
Recommended Monthly Page Volume <sup>1</sup>	3,000 - 10,000 pages		
Maximum Monthly Duty Cycle: Up to <sup>5</sup>	100,000 pages per month		
Copying			
Copy Speed: Up to	Black: 35 cpm / Color: 35 cpm		
Time to First Copy: As fast as	Black: 13 seconds / Color: 13.5 seconds		
Reduce / Enlarge Range	25 - 400%		
Scanning			
Duplex Scan Speed: Up to	A4/Ltr, Black:: 12 / 12 sides per minute - A4/Ltr, Color:: 12 / 12 sides per minute		
Simplex Scan Speed: Up to	A4/Ltr, Black:: 34 / 35 sides per minute - A4/Ltr, Color:: 33 / 35 sides per minute		
Scanner Type	Flatbed scanner with ADF		
Hardware Scanning Resolution	600 X 600 ppi		
Faxing			
Modem Speed	33.6 Kbps		
Fax Transmission Speed	< 3 seconds per page		
Supplies			
Supplies Yield	12,000 <sup>1</sup> -page Black High Yield Toner Cartridge, 7,000 <sup>1</sup> -page color (CMY) Toner Cartridges	10,000 <sup>1</sup> -page color High Yield Toner Cartridges (CMY), 12,000 <sup>1</sup> -page Black High Yield Toner Cartridge, 7,000 <sup>1</sup> -page color (CMY) Toner Cartridges	10,000 <sup>1</sup> -page color High Yield Toner Cartridges (CMY), 12,000 <sup>1</sup> -page Black High Yield Toner Cartridge, 7,000 <sup>1</sup> -page color (CMY) Toner Cartridges
Cartridge(s) Shipping with Product	6,000 <sup>1</sup> -page Black starter Return Program Toner Cartridge, 6,000 <sup>1</sup> -page color (CMY) Starter Return Program Toner Cartridges	10,000 <sup>1</sup> -page color (CMY) High Yield Return Program Toner Cartridges, 12,000 <sup>1</sup> -page Black High Yield Return Program Toner Cartridge	10,000 <sup>1</sup> -page color (CMY) High Yield Return Program Toner Cartridges, 12,000 <sup>1</sup> -page Black High Yield Return Program Toner Cartridge
Paper Handling			
Paper Handling Standard	250-Sheet Output Bin, Integrated Duplex, 100-Sheet Multipurpose Feeder, 550-Sheet Input Tray	250-Sheet Output Bin, Integrated Duplex, 100-Sheet Multipurpose Feeder, 550-Sheet Input Tray	250-Sheet Output Bin, Integrated Duplex, 100-Sheet Multipurpose Feeder, 550-Sheet Drawer, 550-Sheet Input Tray
Paper Handling Optional	550-Sheet Drawer, 2,000-Sheet High-Capacity Feeder, 550-Sheet Specialty Media Drawer		
Paper Input Capacity: Up to	Standard: 650 pages 20 lb or 75 gsm bond / Maximum: 4300 pages 20 lb or 75 gsm bond	Standard: 650 pages 20 lb or 75 gsm bond / Maximum: 4300 pages 20 lb or 75 gsm bond	Standard: 1200 pages 20 lb or 75 gsm bond / Maximum: 4300 pages 20 lb or 75 gsm bond
Paper Output Capacity: Up to	Standard: 250 pages 20 lb or 75 gsm bond / Maximum: 250 pages 20 lb or 75 gsm bond		
Media Types Supported	Card Stock, Envelopes, Paper Labels, Plain Paper, Transparencies, Vinyl Labels, Refer to the Card Stock & Label Guide		
Media Sizes Supported	10 Envelope, 7 3/4 Envelope, 9 Envelope, A4, A5, B5 Envelope, C5 Envelope, DL Envelope, B5, Executive, Folio, JIS-B5, Legal, Letter, Statement, Universal, Oficio, A6		
General			
Standard Ports	USB 2.0 Specification Hi-Speed Certified (Type B), Front USB 2.0 Specification Hi-Speed Certified Port (Type A), Rear USB 2.0 Specification Hi-Speed Certified Port (Type A), Ethernet 10/100/1000 BaseTX (RJ-45)		
Optional Network Ports	Internal MarkNet™ N8120 Gigabit Ethernet, Internal MarkNet™ N8250 802.11b/g/n Wireless		
Optional Local Ports	Internal RS-232C serial, Internal 1284-B Bidirectional Parallel		
Noise Level, Operating	Printing: 59 dBA / Copying: 59 dBA / Scanning: 54 dBA	Printing: 57 dBA / Copying: 58 dBA / Scanning: 54 dBA	Printing: 57 dBA / Copying: 58 dBA / Scanning: 54 dBA
Product Warranty	1-Year Onsite Service, Next Business Day		
Energy Star	Yes		
Specified Operating Environment	Temperature: 16 to 32°C (60 to 90°F), Humidity: 8 to 80% Relative Humidity, Altitude: 0 - 3048 Meters (10,000 Feet)		
Size (in. - H x W x D) / Weight (lb.)	31.0 x 21.5 x 24.5 in. / 97.0 lb.	31.0 x 21.5 x 24.5 in. / 97.5 lb.	35.8 x 21.5 x 24.5 in. / 106.5 lb.

<sup>1</sup> Average continuous black or composite CMY declared cartridge yield in accordance with ISO/IEC 19798. <sup>2</sup> Hard disk is required to support disk wiping and encryption. <sup>3</sup> Change Language is an option during installation. <sup>4</sup> "Recommended Monthly Page Volume" is a range of pages that helps customers evaluate Lexmark's product offerings based on the average number of pages customers plan to print on the device each month. Lexmark recommends that the number of pages per month be within the stated range for optimum device performance, based on factors including: supplies replacement intervals, paper loading intervals, speed, and typical customer usage. <sup>5</sup> "Maximum Monthly Duty Cycle" is defined as the maximum number of pages a device could deliver in a month using a multishift operation. This metric provides a comparison of robustness in relation to other Lexmark printers and MFPs.



**LEXMARK**  
TM