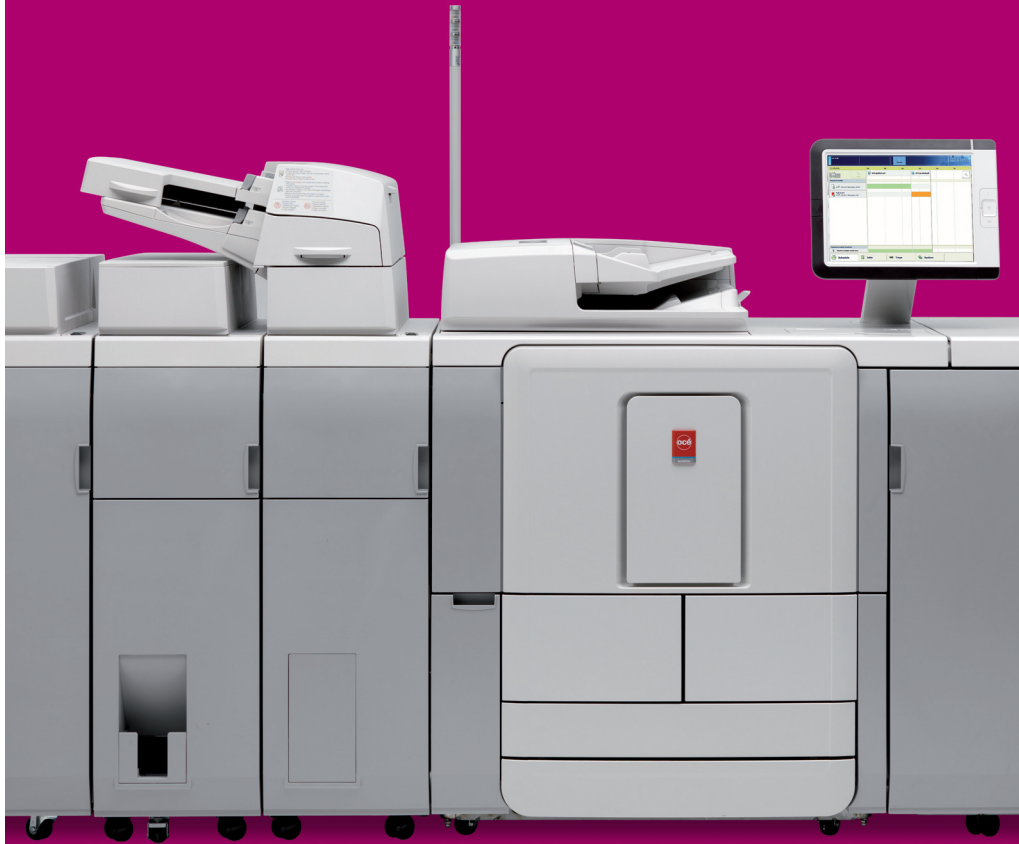


Océ
VarioPrint® DP
Line



Excellence
redesigned in B&W



Canon
CANON GROUP

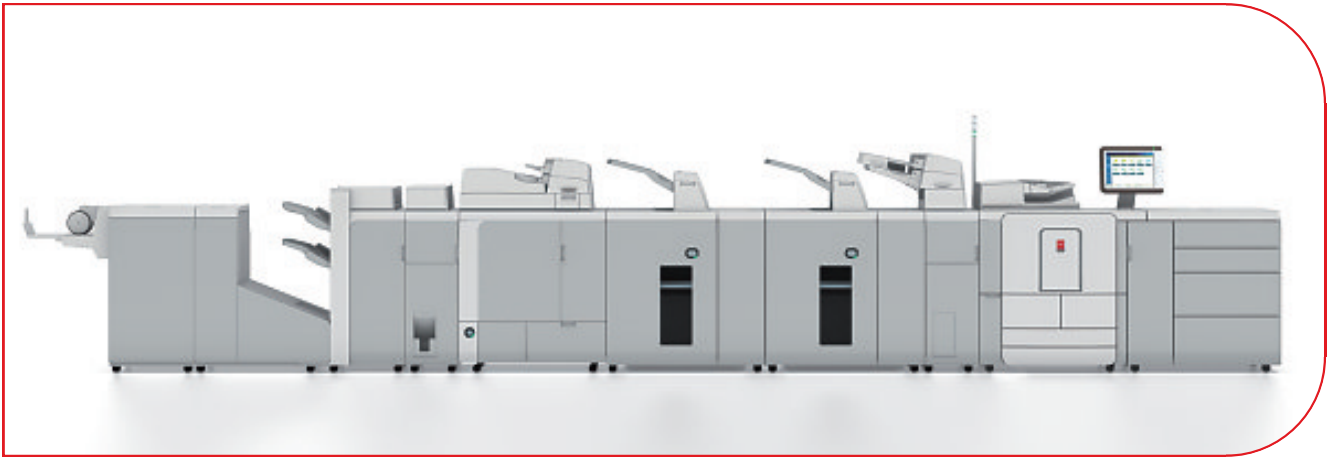
- Image consistency across jobs, time and machines
- Empower every operator with Océ PRISMA® sync ease of use
- Design your perfect-fit system: speed, input, finishing and workflow
- Cleaner B&W printing with No-Ozone imaging technology
- Deliver more jobs faster with high system performance and uptime

Excellence redesigned in B&W



Océ VarioPrint DP Line

True digital printing with Océ DirectPress technology



Imagine a new, highly stable technology that always makes consistent quality images. A truly digital technology that doesn't require high temperatures and electrical charges. A high-speed production technology that produces zero ozone.

The Océ VarioPrint DP Line is based on the new Océ DirectPress technology. It rewrites the rules for image consistency, intuitive operation, system configurability and performance uptime. It will help you cut costs, reduce environmental footprint and expand your business opportunities. It redesigns excellence in high-speed black & white imaging.

Image consistency across jobs, time and machines

With the Océ VarioPrint DP Line you can consistently print high quality on a wide range of media. Even after hundreds of thousands of prints across jobs, time and machines. That's the strength of Océ DirectPress, a 100% digital print technology.

Stable, consistent, high-quality printing

Océ DirectPress replaces multiple process steps involving many variables with a single, stable digital process. It isn't affected by light, static charge, temperature, humidity, developer or toner mixtures. It delivers highly stable and consistent quality output without streaks, striping or banding.

Great output on a wide range of media

Océ DirectPress technology uses a low fusing temperature that allows you to print on a wide range of media. The image is pressed directly onto the paper so you can use structured or textured stock.

Advanced paper registration

You can also rely on accurate duplex printing. An intelligent sensor-controlled process produces precise front-to-back image registration. So you can expand your services to include high-visibility, quality-intensive jobs, tapping into profitable new applications.

Tunable print quality in a colour world

Océ ScreenPoint® technology reproduces perfect halftones and photographs with exceptional resolution, dense black fill and precise fine lines. You can print colour files in black & white. The system supports quality conversion to generate smooth grayscale transitions. You can also adjust image contrast and control the lightness or darkness of an image with no loss of detail.





Empower every operator with Océ PRISMAsync ease of use

The Océ PRISMAsync controller gives operators intuitive workflow for immediate productivity, minimal learning curves and easy management of the most complex jobs.

Integrated and configurable workflow intelligence

The operator panel combines controller, user interface and engine in one integrated concept. All system functions and settings are accessible from the colour touch screen. You can configure the system to drive production printing, scanning, copying, and advanced job editing.

Efficient production planning

The user interface displays the total production schedule indicating when jobs will be finished. A colour coding system alerts operators to upcoming interventions like media refills. Intelligent job scheduling ensures uninterrupted production and smooth workload planning.

Easy and efficient media handling

A customised, define-once media catalogue drives your workflow with all the printer settings needed to handle media consistently and productively. Océ Paper Logic® ensures correct media loading even with pre-printed or pre-punched stock, virtually eliminating errors and waste.

Uniformity of operation

One operating concept across all Océ PRISMAsync-driven black & white and colour printers ensures consistent job handling for printing, scanning and copying. Operators spend less time at the machine, staff are more efficient, training costs are reduced and productivity increases.

Advanced job management and editing

Advanced document preparation at job and even page level can be managed from a single point of control at the printer. This enables last-minute changes to a document at the printer without going back to prepress.

Easy integration with different workflows

With the Océ PRISMAsync controller, you can run jobs from Kodak® Smartboard and Xerox® FreeFlow® MakeReady workflows without losing job ticket settings or media attributes. The Océ VarioPrint DP Line is designed for full integration with Océ PRISMA solutions to accelerate your workflow, reduce costs and attract more print volume.

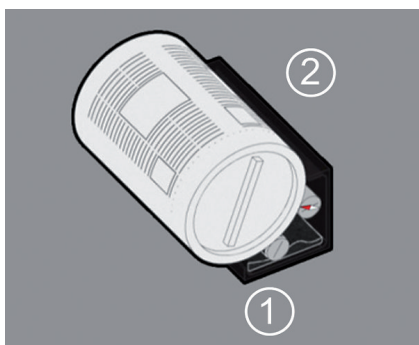
Océ VarioPrint DP Line

Innovative Océ technologies that redesign excellence

At the heart of the Océ VarioPrint DP Line are innovative technologies that deliver true digital printing, energy efficiency and integrated workflow. They cut your costs, reduce your carbon footprint and ramp up your business.



Océ DirectPress



- 1 Toner application
- 2 Toner removal and reuse

True digital print technology

Traditional technology requires multiple process steps. Océ DirectPress converts digital data into a toner image in a single step.

Uniform, stable image

The process is unaffected by static or light. It is highly stable in terms of performance and quality.

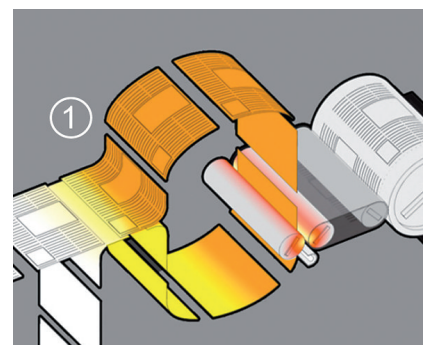
Robust reliability

Océ DirectPress uses fewer parts. It is a highly reliable technology with high uptime and a compact footprint.

Cleaner work environment

Océ DirectPress uses no electrical charging to create the toner image. There is no ozone emission, toner waste, fuser oil or developer.

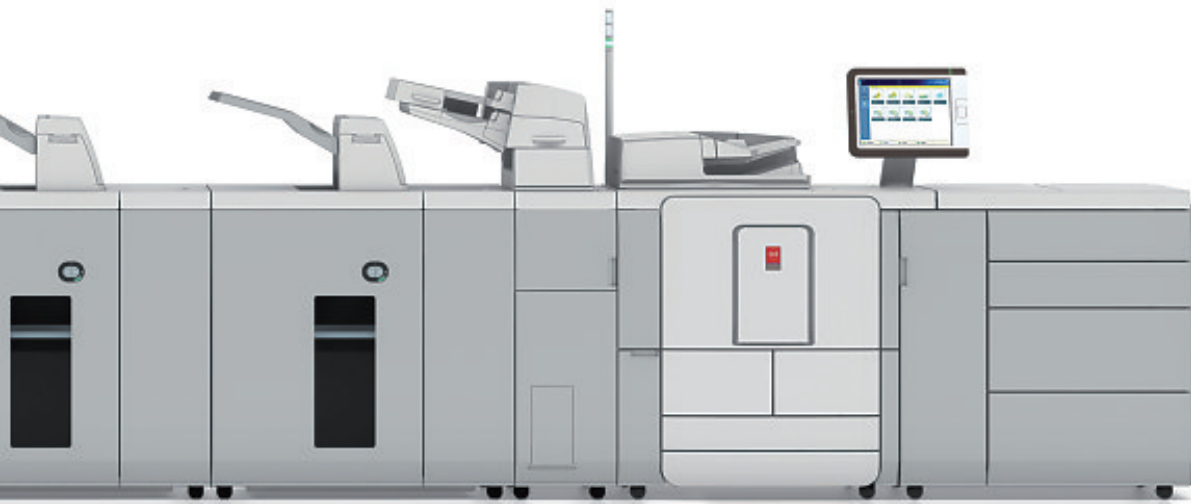
Océ HeatXchange®



- 1 Heat transferred from output to input media

Océ PRISMAsync in a nutshell

- Single point of control
- Intuitive, award-winning user interface design
- State-of-the-art job and queue management
- Predictable production planning up to 8 hours
- Adobe PostScript® 3, PDF 1.7, PCL 6, XPS
- Advanced editing options at job and page level
- Uniform handling of copy, print and scan



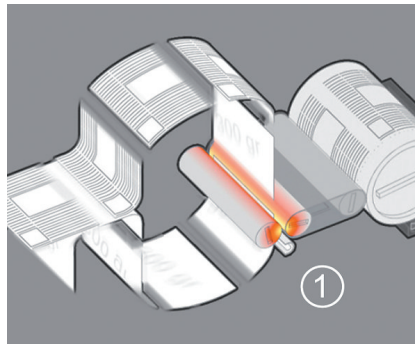
Energy savings in heating and cooling

Océ HeatXchange transfers the fusing heat from printed sheets to new sheets entering the print path. Printed sheets are cooled and to-be-printed sheets are pre-heated in a single process. The technology reduces energy consumption by up to 30%.

Better quality documents for optimal processing

Ready-cooled printed sheets mean no curling or sticking, with more reliable finishing.

Océ EnergyLogic®



1 Intelligent response to media changes

Smart energy use for mixed media jobs

Océ EnergyLogic technology enables uninterrupted production for jobs with mixed light and heavy media. For heavy media, the system gradually reduces speed to keep performance at a maximum without compromising print quality. It then resumes full speed for lighter media without "hiccups", intelligently gearing up and down for media changes.

Start printing when you want

Océ EnergyLogic enables the system to start printing, albeit at a lower speed, as soon as sufficient power is available. The system gradually accelerates until it warms up to maximum temperature and reaches maximum speed.



Design your perfect-fit system: speed, input, finishing and workflow

Meet varying requirements with just a printer, a multifunctional or a smart prepress and production system. Start with a basic system and upgrade to a higher level of performance. Or replace multiple dedicated machines with one all-digital, multipurpose device.

Performance that fits

The Océ VarioPrint DP Line offers three speed levels of 110, 120 or 135 images per minute. No matter the speed, duplex performance is always 100% and automatic duplexing for media up to 300 gsm is available.

Multiple scanning options

Black & white and colour scanning allows you to offer advanced services beyond black & white workflows. The one-pass duplex scanner offers several scan-to options including scan-to-file, scan-to-USB, scan-to-email and scan-to-PRISMA. Automated intelligence recognises photo and text elements on every page to adapt quality accordingly.

Versatile paper feed

Four standard paper trays are conveniently placed under the engine, saving valuable floorspace. An optional paper module provides four additional pick points and expands capacity up to 11,800 pages for hours of unattended production.

A wide range of media types and weights are supported, with automatic size detection in all trays. Océ Paper Logic automatically ensures correct media orientation.

The optional feed module features air separation and suction feed for productive and highly reliable feed of all media. Intelligent sensors ensure near perfect registration accuracy, so you can handle all jobs confidently.

Océ VarioPrint DP Line

True digital printing with Océ DirectPress technology

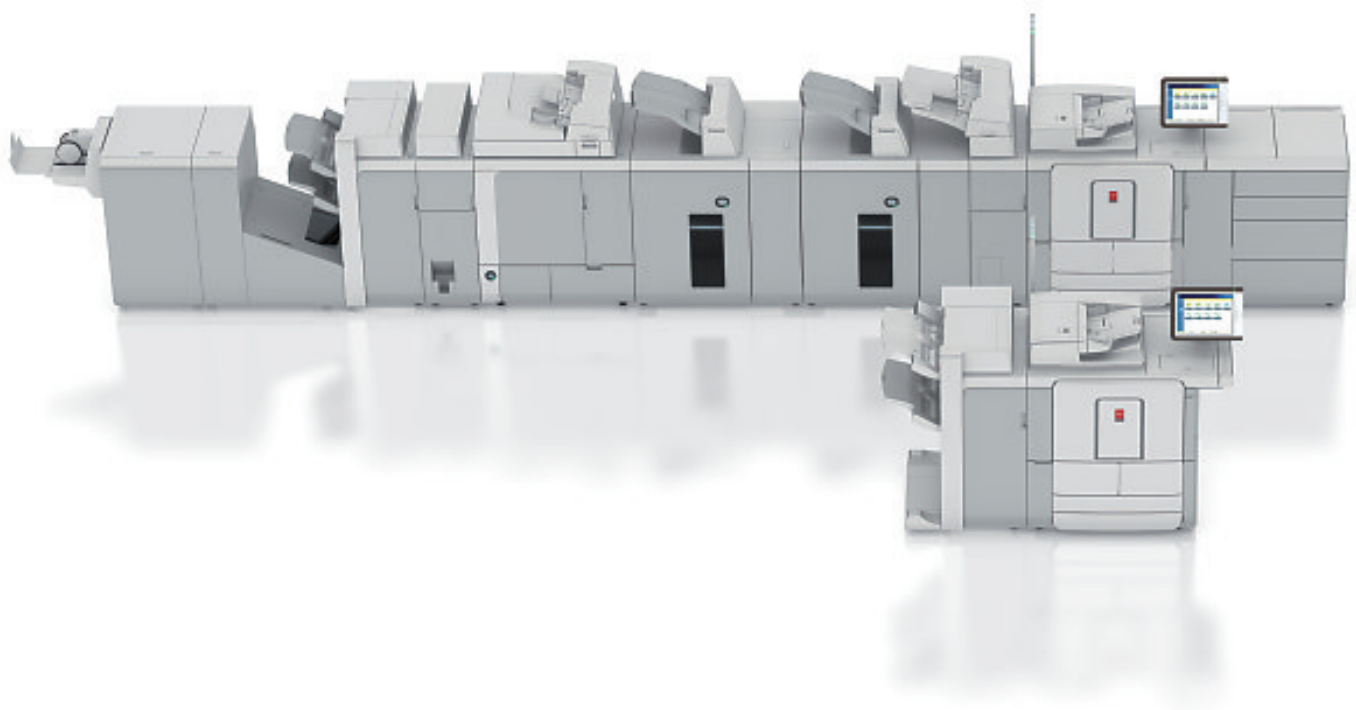
High production performance from one compact system

Customers want professional, finished documents, whether it's simple booklets or complex manuals. The Océ VarioPrint DP Line delivers: from preprinted inserting to high-capacity stacking, folding and punching to stapling, booklet making and glue binding. All options can be integrated into one end-to-end solution for hands-off workflows and quality documents that appeal to your customers.

Configurable workflow support

The Océ PRISMAsync controller and user interface can be configured exactly the way you need them. Choose the processing modes that fit your existing workflow and add options when needed.

Depending on how you use the Océ VarioPrint DP Line you can make the job scheduler, job editing and DocBox functions available to operators. When your workflow requirements change, you can incorporate further Océ PRISMA software modules.



Océ VarioPrint DP Line

Cleaner B&W printing with No-Ozone imaging technology

The Océ VarioPrint DP Line lowers your environmental impact and reduces use of resources. It helps to differentiate your business and attract more orders from environmentally-conscious customers.

Cleaner work environment

Océ DirectPress technology uses no electrical charge, so there are no ozone emissions. Toner efficiency is 100%. There's no toner waste and you can fill the reservoir without spilling. The result is a cleaner work environment without the need for expensive air filters and ventilation.

Closing the energy loop

Océ HeatXchange transfers the heat from a printed sheet to one that still needs to be printed. This reduces electricity consumption by up to 30%.

First-time-right output

Easy operation, reliable media handling and Océ Paper Logic are just some of the features that ensure first-time-right prints without waste.

Long productive working life

The main parts of the system are designed to last a lifetime. This saves resources, reduces waste and limits the environmental impact of logistics and service. Most parts can be replaced by the user, which lowers the carbon footprint and ensures high machine uptime.



Deliver more jobs faster with high system performance and uptime

Productive printing is not speed alone. System availability, reliability and uptime plus efficient media handling all contribute. With consistent performance, you can take on more work and get more done.

Uninterrupted printing in heavy mode

While some systems slow down or stop when printing on heavy media, Océ EnergyLogic dynamically measures the fusing temperature needs of all incoming media and re-allocates available power. Production continues without interruption for mixed media documents. Print speed may be adapted but will never come to a stop.

Start printing immediately

Océ EnergyLogic enables the system to start printing as soon as sufficient power is available. The system gradually accelerates until it's fully warmed up.



Beyond the Ordinary



**Printing for
Professionals**

Creating global leadership in printing

Canon and Océ have joined forces to create the global leader in the printing industries. Our customers can choose from one of the industry's broadest range of products backed by best-in-class service and support organisations. Look to the new Canon-Océ combination for:

- Enterprise printing in the office and corporate printroom
- Large format printing of technical documentation, signage and display graphics
- Production printing for marketing service bureaus and graphic arts
- Business Services for document process outsourcing

Canon (UK) Ltd

Woodhatch

Reigate

Surrey

RH2 8BF

Telephone no 01737 220000

Facsimile 01737 220022

For information and services, visit us at:

canon.co.uk

© 2011 Océ

Illustrations and specifications do not necessarily apply to products and services offered in each local market. Technical specifications are subject to change without prior notice.

Océ, Océ VarioPrint, Océ DirectPress, Océ ScreenPoint, Océ Paper Logic, Océ Copy Press, Océ EnergyLogic, Océ HeatXchange and Océ PRISMA software are registered trademarks of Océ-Technologies B.V. Kodak is a registered trademark of Eastman Kodak Company. Xerox FreeFlow is a registered trademark of Xerox Corporation. PostScript is a registered trademark of Adobe Systems Incorporated. All other trademarks are the property of their respective owners.