

The Mono Wide Format Multi-Function Printer

RICOH MP W7100SP MP W8140SP



Copier Printer Scanner

Ricoh MP W7100SP
10 ppm B/W

Ricoh MP W8140SP
14 ppm B/W

Options



Newly enhanced controller

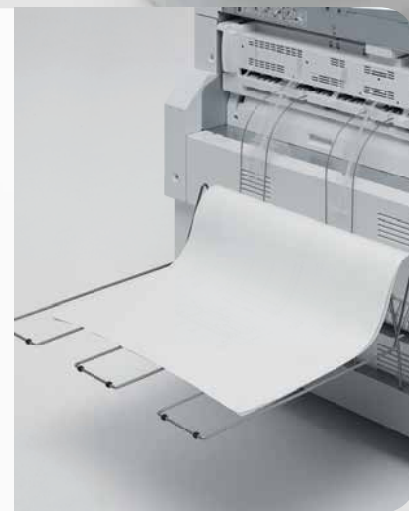
Offers an enhanced controller as well as full network connectivity to streamline your digital wide-format workflow and deliver consistently high throughput.

Flexible layout

To ensure the most efficient layout, stack capacity can be increased to include A0 size as well as automatic folder and stackers.

Options:

- Multi stacker
- Double stacker
- Scanner separation unit
- Original hanger



Solution support

Ricoh's Usable Print Utility (PrintCopy tool) allows you to centralise management of vast numbers of references and drawings. Its many features include the ability to scan drawings on your Ricoh printer and print them out on a different one or plotter.

@Remote allows monitoring, managing and servicing of your Ricoh printer. This helps improve workflow, auto meter reading and toner replenishment, which can reduce costs and device downtime.



MP W7100SP/W8140SP

MAIN SPECIFICATIONS

GENERAL

Technology:	Electro-photographic printing
Fusing:	Heat and pressure
Toner Type:	Magnetic brush dual component dry toner system
Print Speed:	MPW7100SP: 5ppm @A0/E SEF, 10ppm @A1/D LEF MPW8140SP: 7ppm @A0/E SEF, 14ppm @A1/D LEF
Copy Speed:	MPW7100SP: 120mm/sec 10cpm/ppm @ A1/D LEF MPW8140SP: 170mm/sec 14cpm/ppm @ A1/D LEF
Print Resolution:	RPCS 600dpi PS3/PDF 600/300dpi RP-GL/GL2 600dpi/400dpi RTIFF 600/400/300/200dpi 600dpi
Copy Resolution:	Less than 120 sec.
Warm-up time:	1,250 x 755 x 1,215mm
Dimensions (WxDxH):	Less than 295kg
Weight:	220V-240V/8A 50/60Hz
Power Source:	Printing: less than 3kW
Power Consumption:	

SCANNER FEATURE

Colour Scanner Resolution:	150/200*/300/400/600 *Default Twain 150-1200dpi
Scan Speed:	BW 42.5-340mm/s
Scan Area:	Max: MPW7100SP: (Metric) 914.4mm x 15,000mm MPW8140SP: (Metric) 914.4mm x 30,000mm Min: 210mm x 210mm

MEDIA HANDLING

Paper Input Capacity:	SEF: A0/A1/A2/A3/A4 LEF: A1/A2/A3/A4
Original width:	210-914.4mm
Maximum width:	914mm
Paper size:	Maximum: 914 x 150,00mm 2 roll papers Width : 210mm - 914mm Max length: 15,000mm
Paper Weight:	Roll Paper: 51-134g/m ²

PRINT CONTROLLER SPECIFICATION

Configuration:	Embedded (Copier-Printer-Scanner) Calpella (1.06 GHz)
CPU:	2.5GB
Memory:	320GB(Shared with Copy/Printer/Scanner applications)
HDD:	Windows: XP/Vista/7/8/8.1/2003server/2008server/2008R2server/2012server/2012serverR2 Mac: OS (later than Mac OS8.6) Mac: OS X (later than Mac OS X10.7) Citrix Presentation: Server 4.5
Operating System:	TCP/IP(IPv4, IPv6), IPX/SPX, Auto switching available
Network Protocol:	PostScript Level3(PDF), RPCS, Emulation: HP-GL, HP-GL/2(HP-RTL), TIF(CALS)
Supported Print Language:	European 136 fonts
Font:	Standard: 100/10base-TX, USB2.0
Network Interface:	Option: IEEE802.11a/g/n (wireless) 2 slots USB 2.0 host
Service Interface:	

OTHER OPTIONS

2 Roll Unit/2 cassette Unit/Scanner separation kit/Multi stacker/Double stacker.

ENVIRONMENTAL INFORMATION

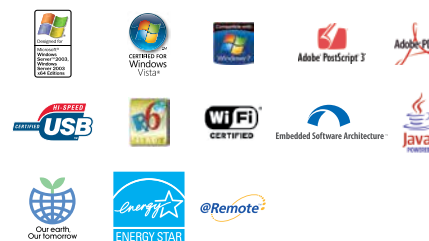
MP W7100SP/W8140SP complies with Energy Star 1.1 standards.
EPEAT 'GOLD'.

RICOH
imagine. change.

www.ricoh-ap.com

RICOH ASIA PACIFIC PTE LTD
103 Penang Road #08-01/07, VISIONCREST Commercial, Singapore 238467
Phone: +65 6830 5888, Fax: +65 6830 5830

All brand and/or product names are trademarks of their respective owners. Specifications and external appearance are subject to change without notice. The colour of the actual product may vary from the colour shown in the brochure. The images in this brochure are not real photographs and slight differences in detail might appear. Copyright © 2014 Ricoh Asia Pacific Pte Ltd. All rights reserved. This brochure, its contents and/or layout may not be modified and/or adapted, copied in part or in whole and/or incorporated into other works without the prior written permission of Ricoh Asia Pacific Pte Ltd.



Meeting the needs of heavy volume users with high speed and productivity. The revolutionary monochrome wide format printer delivers the highest level of detailing.

The Ricoh MP W7100/8140SP has been tailored to cater for your engineering needs. The new series delivers high speed performance, flexible layout and new features that would drive your business and profits.

Ricoh MP W7100/8140SP

Wide format printing that offers great productivity

High Productivity

- High-speed output of A1 size paper-up to 14 page per minute
- High-speed scanning at 42.5-340mm per second

High Quality Achieve exceptional print quality

- 600 dpi high resolution print output
- CIS scanning makes it ideally suited for scanning the finest details

Simple Operability

- Exceptionally easy to use as all office multifunction devices
- USB/SD slot available

Flexibility for Every Environment

- Large array of options available to streamline paper handling workflow

Security

- Configuring of user authentication, restricting of machine usage, enhancement of network security
- Hard disc overwrite and data encryption available to prevent data leakage



Printing / Scanning



Printer Controller: Simple, Versatile, Secure

A fast and robust print controller that supports various file formats that are commonly used in the CAD market. Improves productivity by executing high speed processing.

Built-In Printing

- Driver supports- Web To Print Tool to build job sets from HP-GL, TIFF,CALS and JPEG file format

Scanning:

Advanced technology allows end users to do printing and scanning simultaneously

Built-In Color Scanner

- Minimize system footprint with the embedded color scanner
- Scan documents directly to e-mail, USB/SD, Folders, URL, Document Server
- Scan documents of extensive sizes and types

Built to Last:

The Ricoh MP W7100/8140SP is robust and durable. Ricoh products are designed to be a long-term investment for your organization- even in the most demand.

- Maximize your Total Cost of Ownership(TCO) by investing in a system with an exceptionally long life expectancy

Security

You can be rest assured that the Ricoh W7140/W8100SP provides you and your customers the secured transmission of business critical data so essential for transactional communications.

Restrict users by using user authentication

- Prevention of unauthorized usage

Data Protection

- The Ricoh W7140/W8100SP comes with the security function, that overwrites and erases files from the hard disk to prevent data leakage

Encryption

- Once the data encryption has been enabled, data leakage can be prevented on the machine, such as Address book, authentication data, and files. You can choose to encrypt or delete the data currently stored on the machine