



ApeosPort-V C3320

Compact and highly functional.
The smart way to improve office efficiency.



Compact and loaded with exceptional features. Raising the bar for A4 multifunction devices.

ApeosPort-V C3320. Fuji Xerox's first full-featured, A4 colour digital multifunction device. Compact, feature rich and highly functional, this new device delivers excellent image quality, outstanding productivity and easy access via mobile devices and the Cloud. ApeosPort-V C3320 is ideal for a wide range work environments, from small businesses experiencing their first multifunction device to large corporations rethinking company-wide device allocation.

Copy Print B / W : 35 ppm
Colour : 35 ppm

Scan B / W : 40 ppm
Colour : 20 ppm

Fax Max size : A4,
Super G3



Printing Resolution
9600 or equivalent × 1200 dpi

ApeosPort-V C3320

Compact

Highly functional multifunction device

The compact and lightweight design belies the many functions that support copying, printing, faxing and scanning. Ideal to fit neatly on a desktop without encroaching on space or productivity.

Flexible

Flexible placement options

ApeosPort-V C3320 boasts many of the same functions found on A3 multifunction devices. It complements existing devices, allowing you to install it where it can maximise office efficiency based on expected document sizes, output volumes and usage.

Smart

Mobile and cloud connectivity

Empowering today's mobile workforce to conduct business in ways that work for them, with scalable mobile printing solutions and cloud-based solutions.

User-friendly

Easily viewable, tiltable 7-inch touch panel.

High-visibility output tray

Printouts are readily recognisable on the blue tray, serving as a reminder to collect finished documents on a timely basis.

Effortless postcard printing

Bypass tray allows easy printing of coloured paper and postcards.

High-volume printing

Efficiently handle large-volume print jobs of up to 550 sheets using one compact device.

Quick, high-volume scanning

60-sheet document feeder offers easy scanning of multi-page documents.



Height: 625 mm

Compact footprint

Space-saving design lets you install the device anywhere to optimise office workflows.

Depth: 553 mm

Width: 538 mm

More features, simplified operation



Easy Fingertip Control

The ApeosPort-V C3320 takes advantage of technology seen in smartphones and tablets by enabling users to operate the devices intuitively, for faster and more efficient production. Four different gestures – tap, double-tap, drag and flick – can be used to scroll and switch functions smoothly and quickly.

Making multifunction devices easier to use

Onboard scanning solutions

Dramatically increase your workflow efficiency with these onboard scanning solutions: on-box Optical Character Recognition with searchable PDF creation; secure PDF; scan to USB device; scan to email, folder, and network. Plus, high compression technology to reduces file sizes.

Save/print using a USB memory device

An easily accessible USB port allows users to quickly print from or scan to any standard USB memory device.



A wide variety of choice to suit your needs

Paper trays can be added* to increase total paper capacity to 1,250 sheets. The optional cabinet is also available for stand-alone use and provides storage for toner cartridges, paper and other supplies.

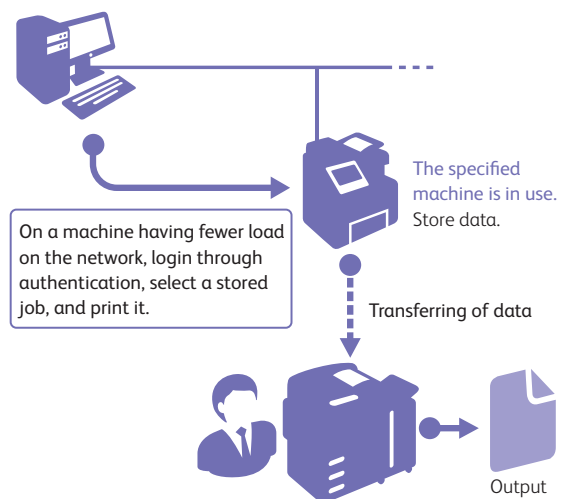
* One tray can be added. The device can hold maximum of two trays.



Print on demand

Gain control of your print costs with the Serverless On-Demand Print solution*. It lets you manage and facilitate all print activities on up to five supported multifunction devices. It allows users to release their jobs from the device with a proximity card, username/password or PIN number, all without the IT burden of a central print server.

* Optional.



Experience the difference

Fuji Xerox iiX is a software integration layer allowing your ApeosPort-V solution to adapt to fit the way you work, not the other way around.

In adopting this approach to developing an integration layer in each ApeosPort-V solution, Fuji Xerox can unleash the powerful features of its technology and create personalised and customised document management solutions that you can access right from the device touch screen. These solutions can leverage your existing infrastructure and databases.

Cost management

In years gone by, the costs of office printing were frequently borne by the IT department alone and reported as a consolidated cost of doing business, without the visibility of who was printing what.

Some of the benefits of implementing one of Fuji Xerox's cost management solutions include:

- Identifying output costs down to the individual user, in order to keep operating costs low
- Precisely allocate/disperse costs to client accounts/internal cost centres or individual users
- Improved document and device security

- Print documents from just about anywhere, anytime and pick up their jobs at the time and location of their choosing
- Minimise security breaches caused by confidential printouts left unclaimed
- Enhance your sustainability initiatives by reducing paper and energy use
- Encourage mobile flexibility with smartphones and tablets
- Reduce waste and misuse of resources

Mobile and Cloud applications

Google Cloud Print™

ApeosPort-V C3320 works with Google Cloud Print™, so you can print on the go from your smartphone or computer using Google Cloud Print enabled apps.

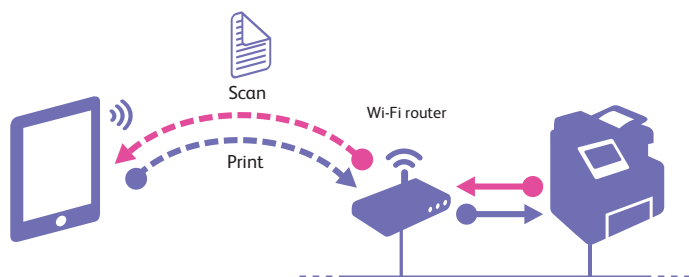


Print Utility for iOS / Android

Scan documents and save to iOS or Android devices via wireless LAN, and print PDF documents, web pages and photos from the mobile device.

* Print Utility for iOS and Print Utility for Android can be downloaded for free from App Store and Google Play™, respectively.

* DocuWorks documents and PDF documents can also be output by linking with DocuWorks Viewer Light for iPhone/iPad.



AirPrint

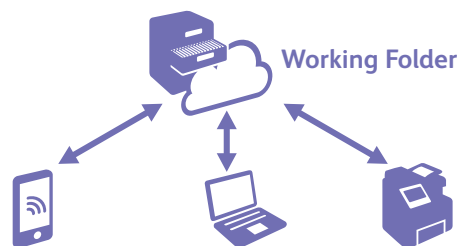
Print directly from an iOS device via wireless LAN. This eliminates the need to open data on a PC, download special software, or install a dedicated driver.



* AirPrint is a standard print function included in iOS on iPhones and iPads.

Working Folder

Working Folder is an easy, affordable and reliable way to store documents, collaborate on content or digitise inbound paper transmissions helping you to shift your business into the mobile era.



With a smart device
View, register and download documents
Upload pictures and videos

With a web browser or DocuWorks Desk
Search, drag and drop

With a multifunction device
• Auto-register received faxes
• Register scanned documents
• Download and print

*This function requires the Working Folder Service contract.

Productivity Applications

Convenient, counter-based customer service

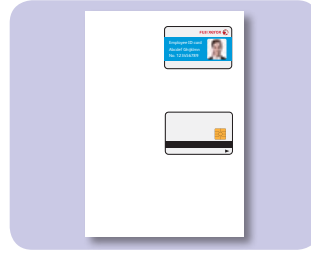
The space-saving design lets you install the device anywhere. Improve customer service with fast and easy access to retrieve printouts.



Convenient counter-based services

ID card copy

Both sides of a card can be copied onto one side of a sheet of paper. So, you can see all the ID card information at a glance.



Under-desk placement

When placed under a desk, a wheeled platform enables easy portability.

* Optional.



Efficiently combining A4 and A3 devices

Suitable for small-to-medium businesses and enterprise customers alike, the ApeosPort-V C3320 builds on and expands the A3 colour series of multifunction devices leveraging a common experience for end users, as well as, IT Administrators.



Well suited for company-wide use

Control panel matches those of A3 devices

ApeosPort-V C3320 is equipped with a 7-inch control panel that is easy to use and view. This ensures a familiar interface throughout the office.



Environmentally responsible

EA-Eco Toner

This Emulsion Aggregation (EA) Ultra Low-Melt toner achieves a fusing temperature more than 20°C lower than conventional EA toner, reducing power consumption during fusion, as well as achieving a brilliant glossy output even on ordinary paper.

Remote Power Off

Devices located at a distance may be switched off remotely via PC. In large facilities such as a campus or factory building, this function can reduce the time and labour required to operate remotely located devices.

Excellent TEC Value

The ApeosPort-V C3320 has achieved 1.8 kWh for TEC value*, conforming to International ENERGY STAR Program standards and reducing power consumption.

* Value measured by the test defined in International ENERGY STAR Program.

1.8
kWh

TEC value

Specifications of ApeosPort-V C3320

Basic Specifications / Copy Function

Item	Description
Type	Desktop
Memory Capacity	4 GB (Max 4 GB)
Hard Disk Capacity ^{*1}	160 GB or larger (Usable space 128 GB)
Colour Capability	Full Colour
Scan Resolution	600 x 400 dpi
Printing Resolution	600 × 600 dpi, 2400 dpi or equivalent ^{*2} × 600 dpi
Warm-up Time	35 seconds or less. 20 seconds or less if the main power is on (At room temperature 23°C)
Original Size	Maximum of Legal for both Sheet and Book
Paper Size	Max A4, Legal ^{*3} [Legal When Using Bypass Tray]
	Min A5, [Postcard (100 x 148mm), 3 x 5" (76 x 127 mm) When Using Bypass Tray]
	Image loss width Lead Edge 4.0 mm, Trail Edge 4.0 mm, Right & Left Edges 4.0 mm
Paper Weight ^{*4}	Paper Tray 60 to 216 gsm
	Bypass Tray 60 to 216 gsm
First Copy Output Time	B / W 8.6 sec.(A4 / Monochrome priority mode)
	Colour 10.0 sec.(A4 / Colour priority mode)
Continuous Copy Speed ^{*5}	A4 B / W : 35 ppm
	Colour : 35 ppm
Paper Tray Capacity ^{*6}	Standard 550 sheets x 1-tray + Bypass Tray 150 sheets
	Optional Sheet Feeder : 550 sheets
	Max 1250 sheets (Standard + Sheet Feeder + 1-tray)
Output Tray Capacity ^{*6}	250 sheets (A4)
Power Supply	AC220-240 V ±10%, 5 A, 50 / 60 Hz common
Maximum Power Consumption	1.2 kW or less Sleep Mode : 1.2 W or less Low Power Mode : 23 W or less ^{*7} Ready Mode : 83 W or less
Dimensions	W 538 x D 553 x H 625 mm
Weight ^{*8}	38 kg

*1 : Not all of the hard disk capacity is actually available for users.

*2 : When Image Enhancement processing is performed.

*3 : The tray should be extended when legal size paper is placed on it.

*4 : Use Fuji xerox recommended paper. Documents may not be printed correctly depending on usage conditions.

*5 : The speed may be reduced due to the image quality adjustment.

*6 : 80 gsm paper.

*7 : Low Power Mode is not set at the time of shipment from the factory.

*8 : Including Toner Cartridge.

Print Function

Item	Description
Type	Built-in type
Continuous Print Speed ^{*1}	Same as the Basic Specifications / Copy Function
Printing Resolution	9600 dpi or equivalent × 600 dpi, 1200 × 1200 dpi, 600 × 600 dpi
Page Description Language	Standard PCL5 / PCL6 / Adobe® PostScript® 3™
Operating System ^{*2}	PLC6-Driver Windows Server® 2003 (32bit), Windows Vista® (32bit), Windows Server® 2008 (32bit), Windows® 7 (32bit), Windows® 8 (32bit), Windows® 8.1 (32bit), Windows Server® 2003 (64bit), Windows Vista® (64bit), Windows Server® 2008 (64bit), Windows® 7 (64bit), Windows Server® 2008 R2 (64bit), Windows® 8 (64bit), Windows Server® 2012 (64bit), Windows® 8.1 (64bit), Windows Server® 2012 R2 (64bit)
	Mac OS X-Driver Mac OS X 10.5 Leopard, Mac OS X 10.6 Snow Leopard, Mac OS X 10.7 Lion, OS X 10.8 Mountain Lion, OS X 10.9 Mavericks
	Adobe® PostScript™ 3 Driver Windows Server® 2003 (32bit), Windows Vista® (32bit), Windows Server® 2008 (32bit), Windows® 7 (32bit), Windows® 8 (32bit), Windows® 8.1 (32bit), Windows Server® 2003 (64bit), Windows Vista® (64bit), Windows Server® 2008 (64bit), Windows® 7 (64bit), Windows Server® 2008 R2 (64bit), Windows® 8 (64bit), Windows Server® 2012 (64bit), Windows® 8.1 (64bit), Windows Server® 2012 R2 (64bit), Mac OS X 10.5 Leopard, Mac OS X 10.6 Snow Leopard, Mac OS X 10.7 Lion, OS X 10.8 Mountain Lion, OS X 10.9 Mavericks
Interface	Standard Ethernet 100BASE-TX / 10BASE-T / 10BASE-T, USB2.0
	Optional Ethernet 1000BASE-T

*1 : The speed may be reduced due to the image quality adjustment. The printing speed may be reduced depending on the document.

*2 : For the latest information on the supported operating systems, please refer to our official website.

Scan Function

Item	Description
Type	Colour Scanner
Scan Resolution	600 x 600 dpi, 400 x 400 dpi, 300 x 300 dpi, 200 x 200 dpi
Scan Speed ^{*1}	B / W : 40 ppm, Colour : 20 ppm [Fuji Xerox Standard Paper (A4), 200dpi, to Folder.]
Interface	Standard Ethernet 100BASE-TX / 10BASE-T, USB2.0
	Optional Ethernet 1000BASE-T

*1 : The scanning speed varies depending on the documents.

Fax Function (Optional)

Item	Description
Original Size	Max : A4, Legal
Recording Paper Size	Max: A4, Legal Min: A5
Transmission Time	2 seconds and more but fewer than 3 seconds ^{*1}
Transmission Mode	ITU-T G3
Applicable Lines	Telephone subscriber line, PBX, Fax communication (PSTN), maximum 1 port

*1 : When A4 size document with approximately 700 characters is transmitted in standard image-quality (8 x 3.85 lines / mm) and in high-speed mode (28.8 kbps or faster, JBIG). Only indicates the time for transmitting the image information and does not include the communication control time. The total communication time will vary depending on the contents of the document, the type of machine receiving the fax, and line condition.

Duplex Automatic Document Feeder

Item	Description
Original Size	Max : A4, Legal Min : A5 ^{*1}
Paper Weight	50 to 125 gsm (In Duplex : 60 to 125 gsm)
Capacity ^{*2}	60 sheets
Feeding Speed (A4 Simplex)	B / W : 40 ppm Colour : 20 ppm

*1 : 139.7 × 139.7 mm for non-standard paper size.

*2 : 64 gsm paper.

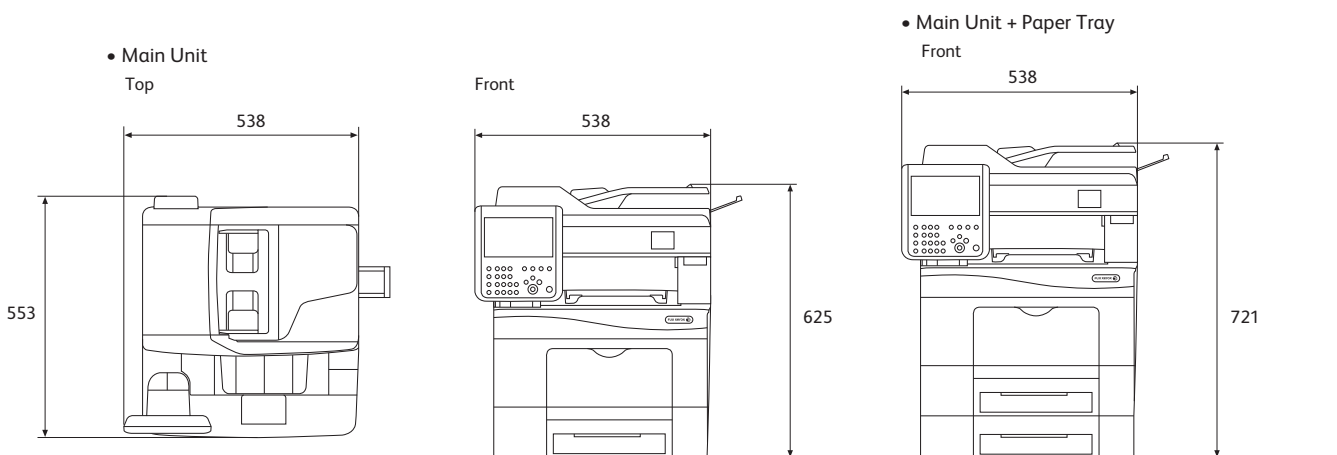
Customer Expectation Document (CED)

For detailed product specifications, optimum performance parameters and service clearances refer to the Customer Expectation Document.

Notes

- 1) If the storage media (such as hard disk drives) of the base unit fail, loss of received data, accumulated data, registered setting data, etc. may occur. In no event shall Fuji Xerox be liable for any damages whatsoever arising from loss of data.
- 2) Functional spare parts will be available for at least 7 years after the product is no longer manufactured.
- 3) The product specifications, appearance and other details in this catalog are subject to change without notice for improvements.


Dimensions



Descriptions in this material, product specifications and / or appearances are subject to change without prior notice due to improvements. Please note that the product colour appears differently from the actual colour as a result of properties of papers or printing ink. Windows is registered trademarks of Microsoft Corporation. Other company names or product names are registered trademarks or trademarks of each company.

<Reproduction Prohibitions> Please note that reproduction of the following is prohibited by law: Domestic and overseas bank notes and coins, government-issued securities, national bonds and local bond certificates. Unused postage stamps and post cards. Certificate stamps stipulated by law. The reproduction of copyrighted works (literary works, musical works, paintings, engravings, maps, cinematographic works, photographic works, etc.) is prohibited except when they are reproduced personally, at home or within limited range.



 **<For Your Safe Use>**
● Before using the product, read the Instruction Manual carefully for proper use. ● Use the product with an appropriate and adequate power source and voltage displayed. ● Be sure to ground the machine. In the case of a failure or short circuit, an electric shock may result.



For more information or detailed product specification,
please call or visit us at

Fuji Xerox Australia

101 Waterloo Road, Macquarie Park NSW 2113

Tel. (02) 9856 5000 Fax. (02) 9856 5003

<http://www.fujixerox.com.au>