

Lexmark XS796 product specifications



Lexmark XS796de

Speeds	
Black and Colour	Copy, Print, Scan up to 47 ppm A4
Paper Handling	
Paper Capacity	Standard Input: 650; Standard Output: 500 Maximum Input: 2,650 (2,000 + 550 + 100); Maximum Output: 1,000
Media Information	Types: Card Stock, Dual Web Labels, Envelopes, Glossy Paper, Integrated Labels, Paper Labels, Plain Paper, Polyester Labels, Transparencies, Vinyl Labels, UV-Resistant Outdoor Media, Banner Media Size: Letter, Legal, Statement, Universal, Folio, Executive, A4, A5, JIS-B5, Envelopes (7-3/4, 9, 10, DL, B5, C5)
ADF Capacity	Up to 75 Sheets
Copy	
	Touch Screen: 10.2-inch Colour, Customisable Memory (Min/Max): 1024 MB/2048 MB Copy Resolution: 600 x 600 dpi
Print	
	Time to First Page: As Fast as 8 Seconds (Black); As Fast as 8.5 Seconds (Colour) Resolution: 1200 x 1200 dpi; 4800 Colour Quality Processor: 1.2 GHz/Hard Drive: 160+GB Connectivity (Standard): USB 2.0 Specification Hi-Speed Certified (Type B), Front USB 2.0 Specification Hi-Speed Certified Port (Type A), Rear USB 2.0 Specification Hi-Speed Certified Port (Type A), Ethernet 10/100/1000 BaseTX (RJ-45) Connectivity (Optional): Parallel, Serial, Wireless
Scan	
	Scan Features: Resolution: 600 x 600 dpi; ADF Scan: DADF (Single Pass Duplex) Scan Destinations: USB Thumbdrive, E-mail, FTP, IDSS, Network or USB Connected Computer, Windows Network Folder File Formats: TIFF, JPG, PDF, XPS, Secure PDF
Fax	
	Resolution: 600 x 600 dpi Fax Features: Colour Fax, Group Fax, Manual Fax, Fax from PC, Up to 512-Character Shortcuts, Fax Preservation, LDAP Look-up, Caller ID, Speed Dials, Block Junk Faxes, Broadcast, Fax Shortcuts, Fax Forwarding
Security	
	User authentication and authorisation controls including LDAP; Card reader option to add an extra layer of security; Hard disk encryption protects sensitive data on the disk drive; Automatic scheduled or manual disk wiping; IPsec, SNMPv3 and 802.1x network security supported; Security-audit logging to help track and identify security risks
Supplies Yield	
	Ships with 12,000*-Page (CMYK) Print Cartridges; Aftermarket 20,000*-Page (CMYK) Extra High Yield Print Cartridges *Average continuous black or continuous composite CMY declared cartridge yield up to this number of standard pages in accordance with ISO/IEC 19798.
Recommended Monthly Volume	
	Up to 15,000 Pages/Month
	Contact your dealer about workflow solutions.



Recommended Monthly Page Volume

*Recommended Monthly Page Volume is a range of pages that helps customers evaluate Lexmark's product offerings based on the average number of pages customers plan to print on the device each month. Lexmark recommends that the number of pages per month be within the stated range for optimum device performance, based on factors including: supplies replacement intervals, paper loading intervals, speed, and typical customer usage.

Trademarks

Lexmark and Lexmark with the diamond design are trademarks of Lexmark International, Inc., registered in the United States and/or other countries. All other trademarks are the property of their respective owners. PCL is a registered trademark of Hewlett-Packard Company. AppleTalk, Mac and Macintosh are trademarks of Apple Computer, Inc., registered in the United States and other countries. MarkNet and MarkVision are trademarks of Lexmark International, Inc., registered in the United States and/or other countries. ENERGY STAR® is a U.S. registered mark. Microsoft, Windows, the Windows logo, Windows Vista, and the Windows Vista logo are trademarks or registered trademarks of Microsoft Corporation in the United States and/or other countries. Citrix, MetaFrame and MetaFrame XP are registered trademarks or trademarks of Citrix Systems, Inc. in the U.S. and other countries. Information in this document is subject to change without notice.

Work smart. Colour smart.



Colour



Touch Screen



Copy



Scan



Fax



Solutions



Up to 47 ppm



Duplex



Network



Why Lexmark?

Founded from an IBM heritage in Lexington, Kentucky, in 1991, Lexmark is one of the few American companies to own, develop and market inkjet, laser and colour laser print technologies. Lexmark is poised to deliver on its promise to produce quality, dependable products well into the future.



Lexmark XS796 Family highlights



Make a lasting impression with award-winning colour.

The documents you print define an important image – yours. That's why Lexmark colour MFPs help businesses be more productive and stand out with vibrant colour. With the ability to print professional quality colour in-house, you can add instant impact and save costs by virtually eliminating the need to outsource print jobs. Lexmark also offers a host of colour-access and control tools to manage cost.



Eco-responsible. Printing responsibly means everyone wins – your business, your budget and the environment. Lexmark's award-winning products are designed for ease of use, high quality output and reliable performance, with innovative capabilities that help you minimise the number of cartridges you use over the life of the printer and conserve paper and energy. Our goal is to design, package and deliver innovative products and solutions in an environmentally responsible manner.

The Lexmark Cartridge Collection Program is active around the world providing a variety of methods for free returns of your empties to Lexmark or our collection partners. Our goal: Make it easy to do the right thing.



Environmental protection is a shared responsibility.

Through our work with industry groups, Lexmark helps guide the formation of standards and guiding principles for environmental sustainability.

Our memberships include:

- AeA Europe
- American National Standards Institute (ANSI)
- Ecma International
- Electronics Industry Citizenship Coalition (EICC)
- European Information & Communications Technology Industry Association (EICTA)
- Information Technology Industry Council (ITI)
- ITI Environmental Leadership Council

Lexmark XS796 Family overview



Robust Colour Output. Designed for busy colour environments, the Lexmark XS796 Family delivers vibrant, professional quality output that is consistent from the first page to the last.

- Lexmark Extra High Yield Print Cartridge available, offering yields of up to 20,000* pages
- Print and copy at speeds as fast as 47 ppm in both black and colour
- PANTONE® calibration for consistent colour tones
- Named Colour Replacement for easy colour matching
- Lexmark Colour Care Technology to manage colour usage and control costs
- Instant warm-up fuser to help reduce energy consumption and improve time to first page



Business Productivity. The Lexmark XS796 Family combines exceptional multifunction performance with time-saving applications designed to make you more productive. These MFPs can deliver the performance of much larger copiers, but with a smaller footprint and a more affordable price.

- Duplex scanning to scan both sides of your documents in one pass
- Advanced copy functions let you interrupt long print runs to make a quick copy, and proof the first copy set before completing your copy job
- Scan to multiple destinations, including scan to email, scan to FTP, scan to fax, scan to network, and more
- Preloaded applications to drive greater efficiency, and Lexmark Embedded Solutions Framework to further extend the capabilities of the device



Easy and Intuitive. The Lexmark XS796 Family is designed for easy operation and maintenance.

- Extra large, easy to navigate 10.2-inch colour touch screen provides audible and tactile feedback to make completing tasks intuitive
- Print and scan preview features help you select documents or specific pages within a document
- Directional lights on the device provide visual cues to guide you through tasks
- Eco-friendly settings such as the Sleep Button and Hibernate Mode
- Available device fleet management software

*Average continuous black or composite CMY declared cartridge yield in accordance with ISO/IEC 19798.

Save time and money through solutions

Reduce unnecessary printing and simplify work processes through Lexmark solutions. The XS796 Family features the Lexmark Embedded Solutions Framework (eSF), our platform that enables you to add a wide range of software applications directly onto the device. Solutions are designed with your productivity in mind, helping you streamline—or even eliminate—paper intensive business processes.

Lexmark XS796 Family solutions

The right touch. The Lexmark e-Task colour touch screen is a key access point to your device. The extra large customisable 10.2-inch interface gives you the ability to preview thumbnails of documents prior to printing, as well as change print jobs at the device. You can even view, select and print specific pages within a document directly from the touch screen. Its easy-to-use, intuitive navigation provides fast access to the functions and shortcuts.



The following are a few of the Lexmark solutions available through your authorised Lexmark Business Solutions Dealers:



Showroom
Display a customisable, scrolling slideshow on the colour touch screen to promote your business or products, or to communicate important messages to your customers or employees.



Card Copy
Save time and effort in copying identification cards, licenses and insurance cards by automatically scanning, enlarging and copying both sides of a two-sided card onto one side of a sheet of paper.



Background and Idle Screen
Change the touch screen background to your corporate logo, custom images, a unique message or select from preloaded screens.

The following are solutions that come preloaded on the XS796 Family:



Forms and Favorites
Eliminate waste and inefficiencies associated with preprinted forms. Store frequently printed forms, marketing materials or other documents online, then print them on demand.



Scan to Network
Scan a hardcopy document and route the image to one of 30 predefined personal or public shared network folders.

Lexmark XS796 Family vertical solutions



Clinical Assistant. Solution for the healthcare industry designed to save clinicians time and improve patient care by streamlining common healthcare workflow processes. Consists of Scan to EMR, Physician Order Routing, Forms on Demand and Card Copy.

Education Station. Solution integrated into the educational space where classroom testing and paperwork tasks can be performed with just one touch. Consists of Scan to Classroom, Print Test*, Grade Test* and Forms on Demand.

Insurance Agent. Bundle of applications to help an insurance company improve its common paper workflow process. Consists of Insurance Forms, Insurance Card Copy, Scan to Network, Eco Copy and Background/Idle Screen.

Contact your Lexmark Business Solutions Dealer for additional vertical solutions.

*Optional software available. Licensing fees apply.



Lexmark's standard security features for your network, data and devices.

Output security has never been more important to businesses of all sizes. Lexmark's security functions include device management, device hardening and device operation. Strong multilayered security is built-in.

Device management tools include administrative access and passwords, HTTPS, SNMPv3, IP security (IPSec) and 802.1x support to remotely monitor and manage device usage.

Device hardening includes port filtering, TCP connection filtering, hard drive encryption, hard disk wiping, and digitally signed firmware updates which enhances the security of the device's network interface.

Device operation utilises user authentication, address book lookup via LDAP over SSL and device lockout for protection of user information.

Lexmark has shown its strength and leadership with respect to security by:

- Forming and chairing the group that created the IEEE 2600 standards for security on hardcopy devices.
- Becoming the first hardcopy device manufacturer to take a holistic approach with the National Information Assurance Partnership (NIAP) Common Criteria evaluation.

Lexmark XS796 Family key features

Features that help you optimise your work



Lexmark XS796de colour laser MFP shown with optional staple punch finisher



1) 10.2-inch colour touch screen

Operate your device with ease and confidence through smart and intuitive navigation, easy access to workflow solutions and shortcuts, and the ability to preview your documents and print jobs at the device.



2) Flexible output options

Choose from four output options, including a five-bin mailbox, an offset stacker, a staple finisher, and a staple with hole punch finisher.



3) Single pass automatic document feeder

Save time by scanning both sides of your document in one pass with robust colour-scanning capabilities and an input capacity of up to 75 pages.



4) Direct USB

The front USB port allows for convenient walk-up preview, printing and scanning, and is compatible with most printable image file formats.



5) Lexmark solutions

Reduce unnecessary printing and simplify work processes through solutions applications preloaded on your device. Choose additional Lexmark solutions to fit your unique workflow needs.



6) Long-lasting toner

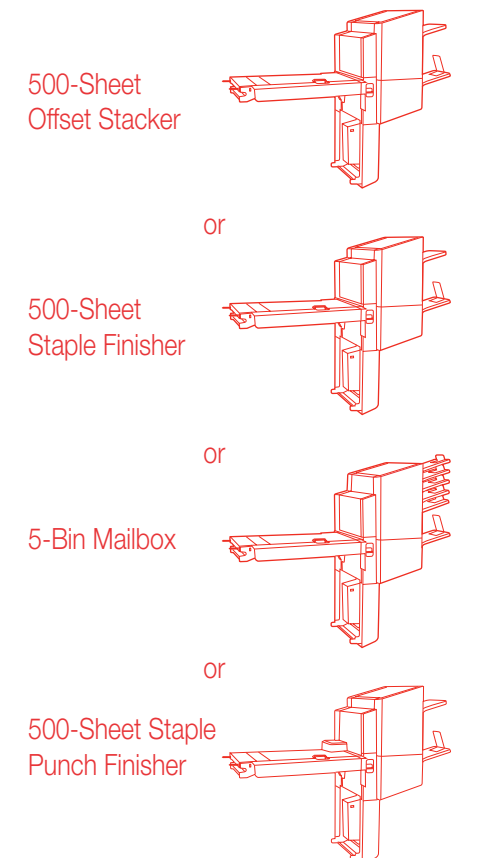
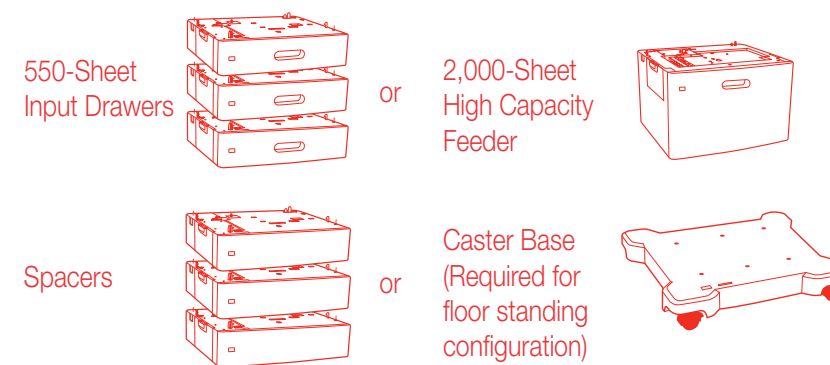
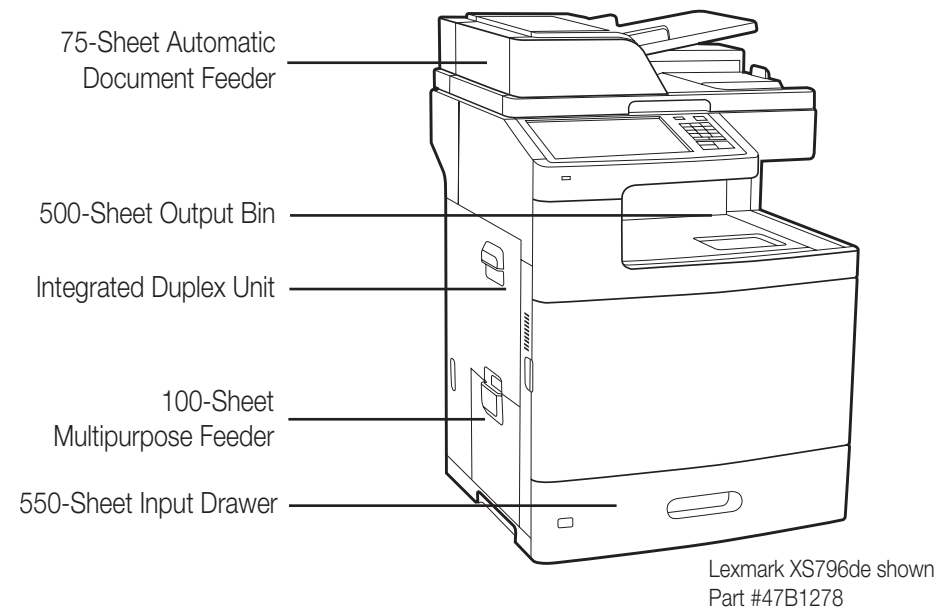
The Lexmark Extra High Yield Print Cartridge delivers up to 20,000* pages, reducing interventions, cartridge waste and cost.



7) Eco-friendly features

Easy-to-access features make it easy to print responsibly, including Eco-Mode to reduce paper and toner consumption, and the Sleep Button and Hibernate Mode to help you save energy.

Lexmark XS796 Family ordering information



■ Standard ■ Optional

Compatible on the XS796 Family

Part #	Laser Toner/Print Cartridge
24B5835	XS796 Black Extra High Yield Return Program Print Cartridge
24B5833	XS796 Magenta Extra High Yield Return Program Print Cartridge
24B5832	XS796 Cyan Extra High Yield Return Program Print Cartridge
24B5834	XS796 Yellow Extra High Yield Return Program Print Cartridge
C792X77G	XS796 Waste Toner Bottle

Part #	Memory Options
1025041	256MB DDR2-DRAM
1025042	512MB DDR2-DRAM
1025043	1024MB DDR2-DRAM
14F0245	256MB Flash Card

Part #	Application Solutions
47B1111	Card for PDS
47B1110	Forms and Bar Code Card
47B1112	Card for PRESCRIBE Emulation

Part #	Connectivity
14F0037	MarkNet N8120 Gigabit Ethernet Print Server
14F0042	MarkNet N8130 Fiber Ethernet 100BaseFX, 10BaseFL Print Server
14T0220	MarkNet™ N7020e Gigabit Ethernet Print Server
1021294	USB Cable (2-meter)
14F0000	Parallel 1284-B Interface Card
1021231	Parallel Cable (10-foot)
14F0100	RS-232C Serial Interface Card

Part #	Paper Handling
47B0110	550-Sheet Input Drawer
47B0111	2,000-Sheet High Capacity Feeder
47B0112	Spacer
47B0114	Caster Base
47B1100	500-Sheet Staple Finisher
47B1101	5-Bin Mailbox
47B1102	500-Sheet Offset Stacker
47B1103	500-Sheet Staple Punch Finisher

*Average continuous black or composite CMY declared cartridge yield in accordance with ISO/IEC 19798.